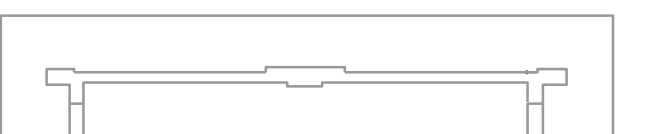




DCI ASSOCIATES, INC.
CORPORATE TRUST ENGINEERS
Orlando • Ft. Pierce • West Palm Beach • Ft. Myers • Tampa
Washington, D.C.
7700 Leeburg Place, Suite 201
Falls Church, VA 22041
Phone: (703) 488-0200 Fax: (703) 488-0205
www.dciassociates.com
CERTIFICATE OF AUTHORIZATION #021

I certify that these documents were prepared by or approved by me and that I am a duly licensed professional engineer under the laws of the State of Maryland, license number 18505 expiration date 6/30/15.

key plan

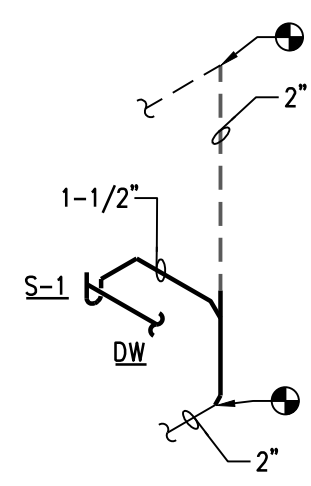


graphic scales

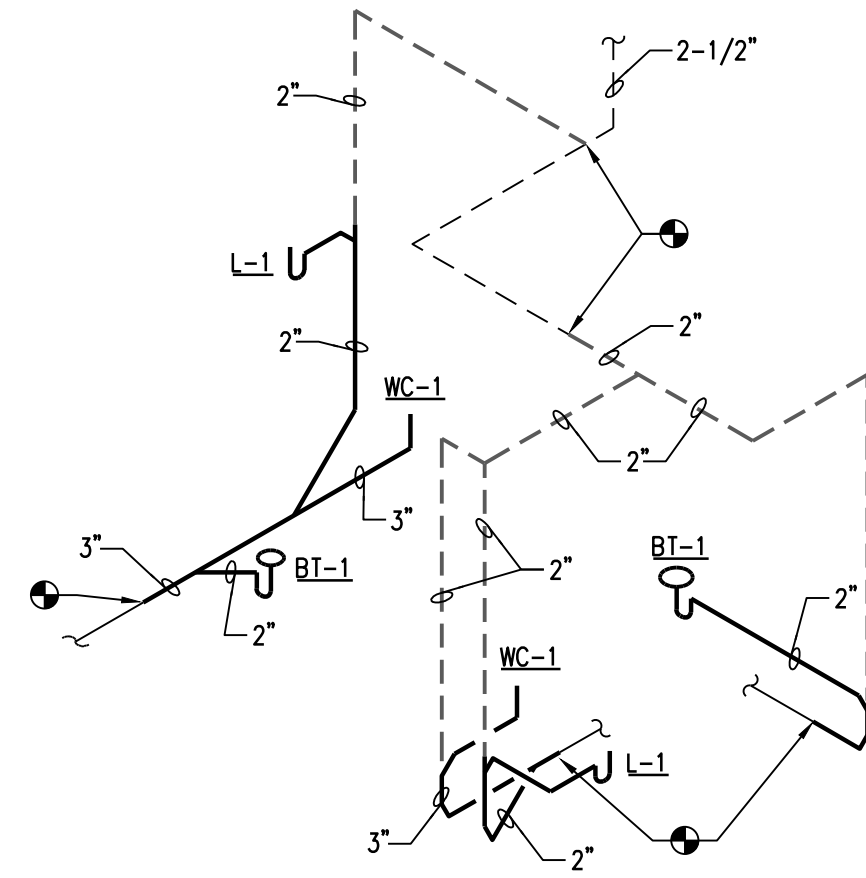
project: 21413
phase: PERMIT SET
date: 16 February 2015
revisions:

RISERS - PLUMBING

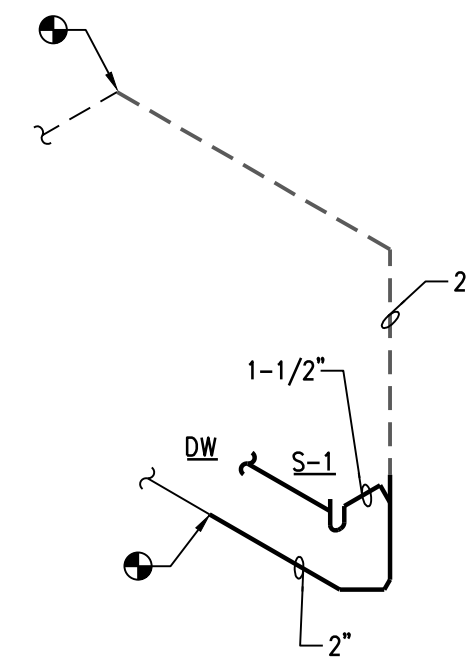
P-501



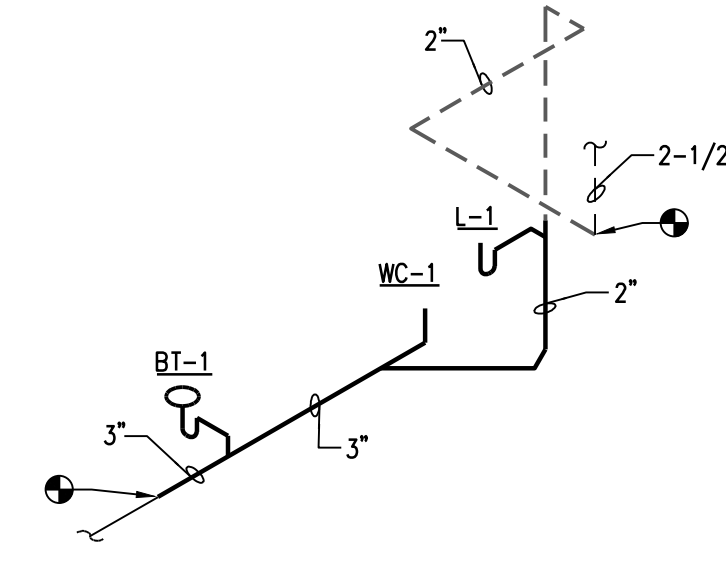
S1
P501
SANITARY RISER DIAGRAM
SCALE: NTS



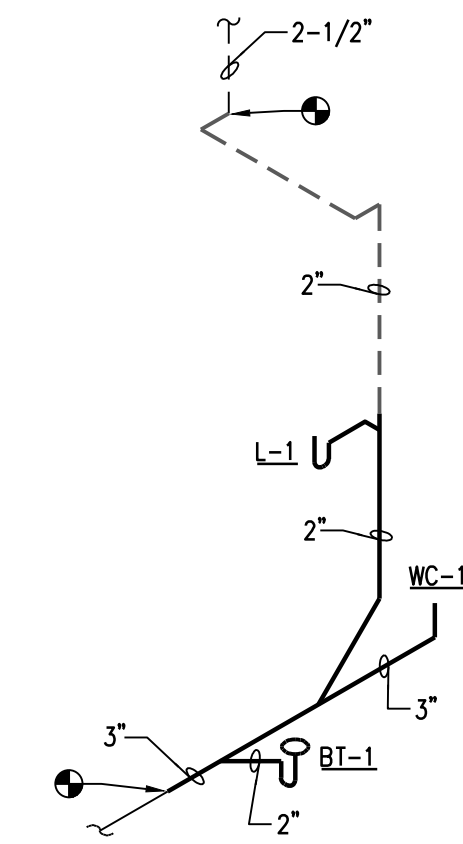
S2
P501
SANITARY RISER DIAGRAM
SCALE: NTS



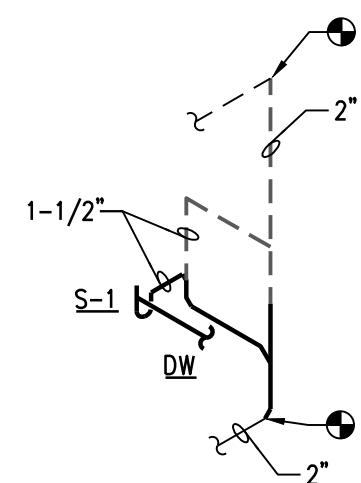
S3
P501
SANITARY RISER DIAGRAM
SCALE: NTS



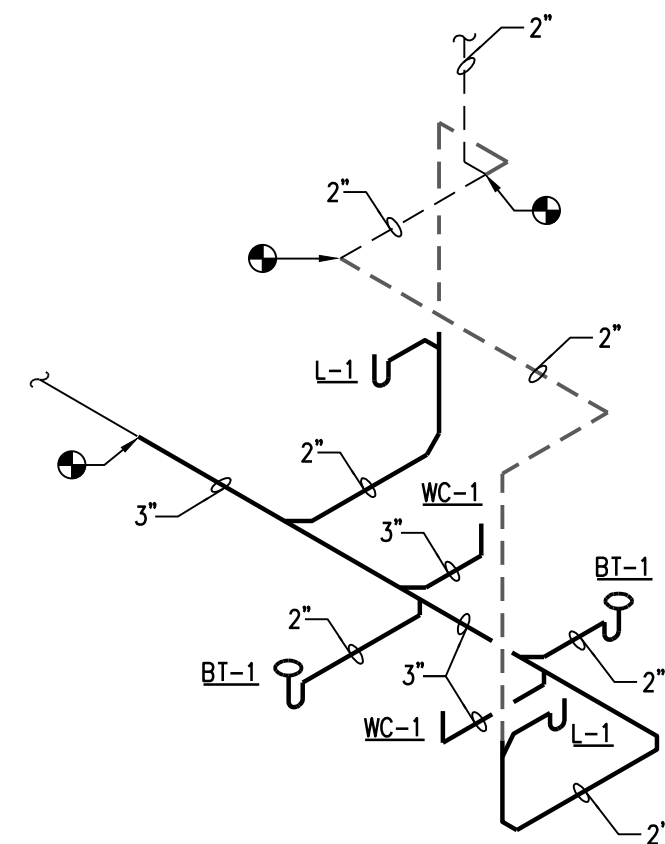
S4
P501
SANITARY RISER DIAGRAM
SCALE: NTS



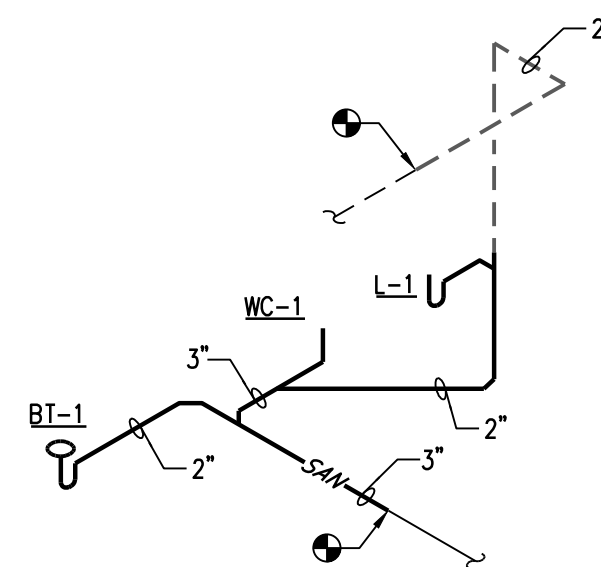
S5
P501
SANITARY RISER DIAGRAM
SCALE: NTS



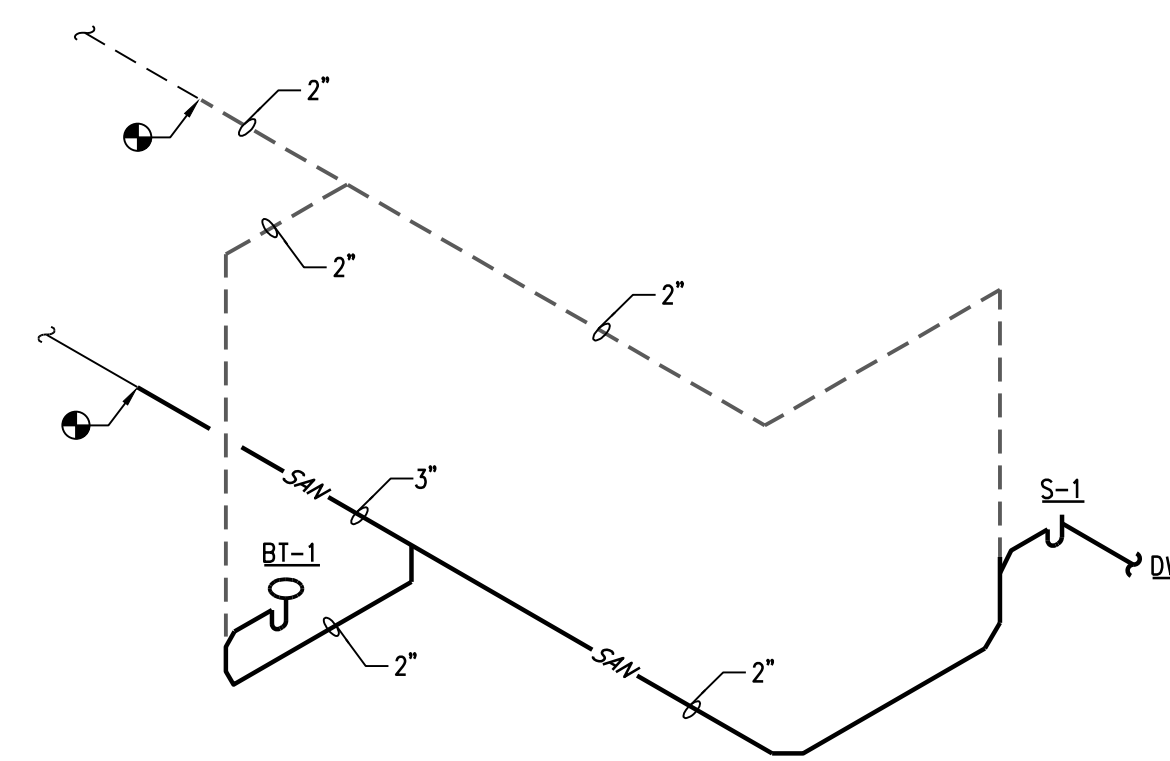
S6
P501
SANITARY RISER DIAGRAM
SCALE: NTS



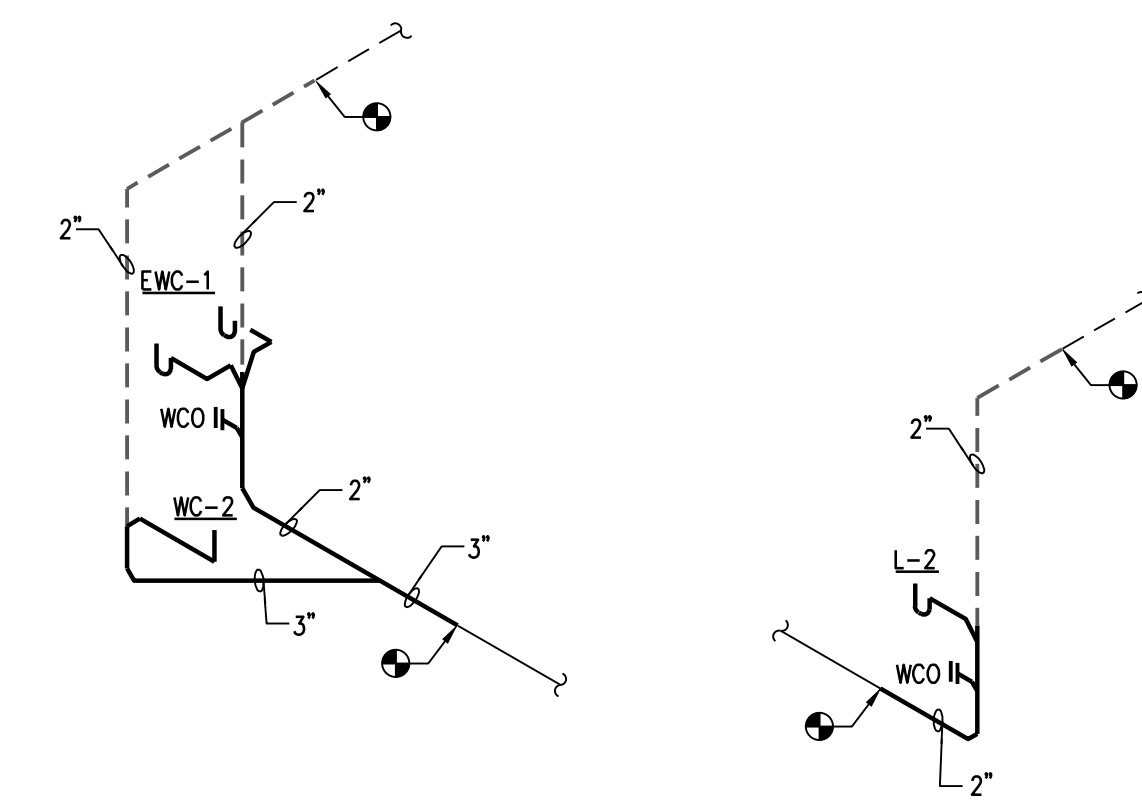
S7
P501
SANITARY RISER DIAGRAM
SCALE: NTS



S8
P501
SANITARY RISER DIAGRAM
SCALE: NTS



S9
P501
SANITARY RISER DIAGRAM
SCALE: NTS



S10
P501
SANITARY RISER DIAGRAM
SCALE: NTS