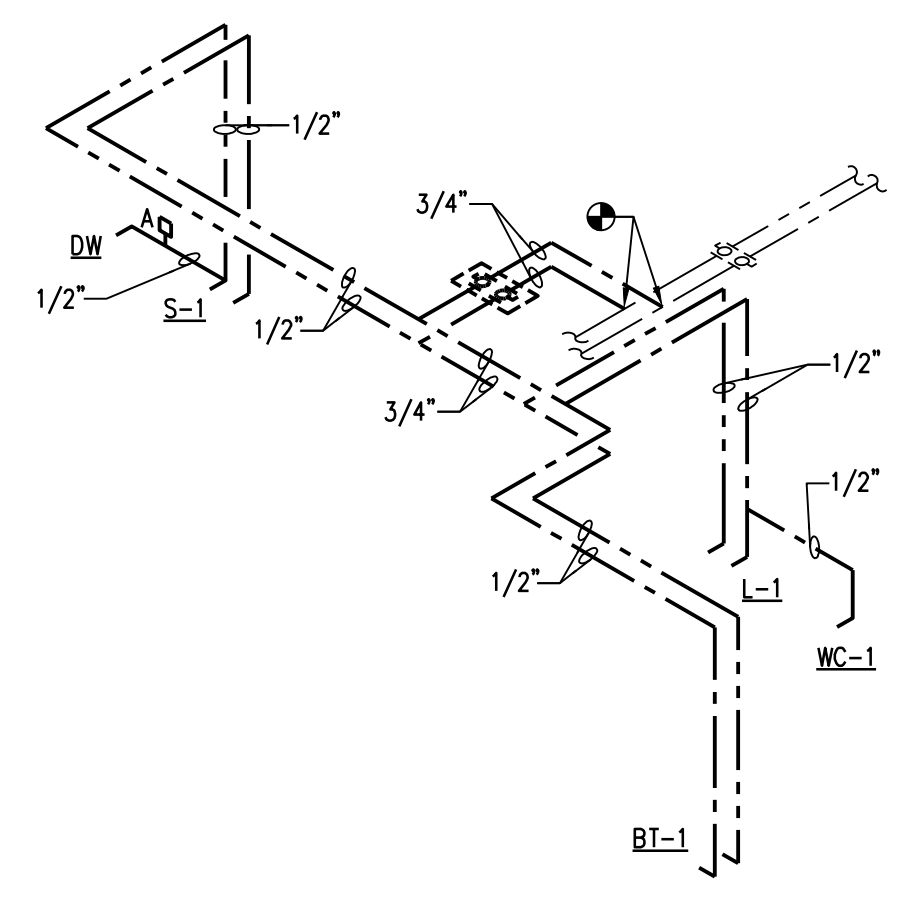
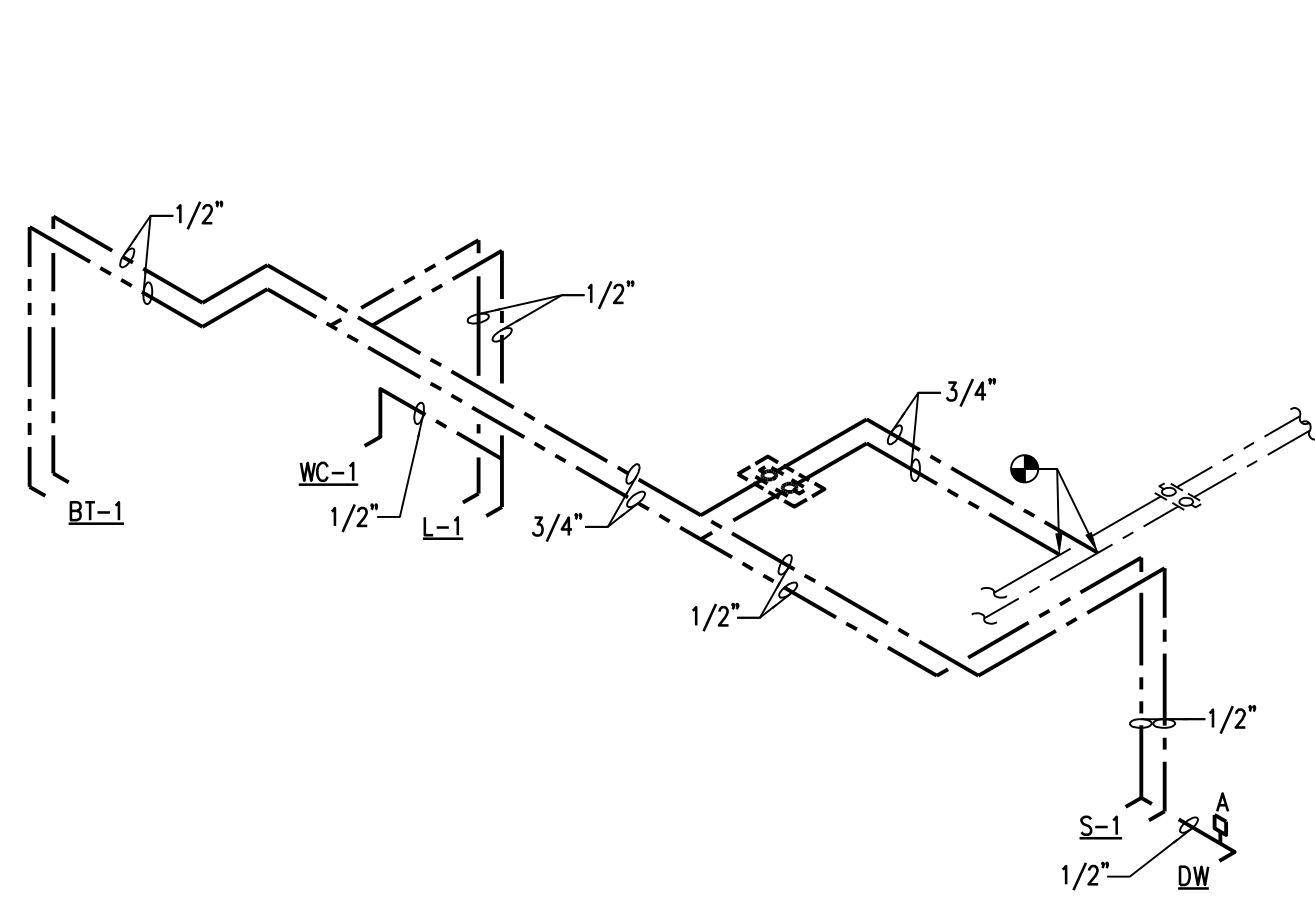


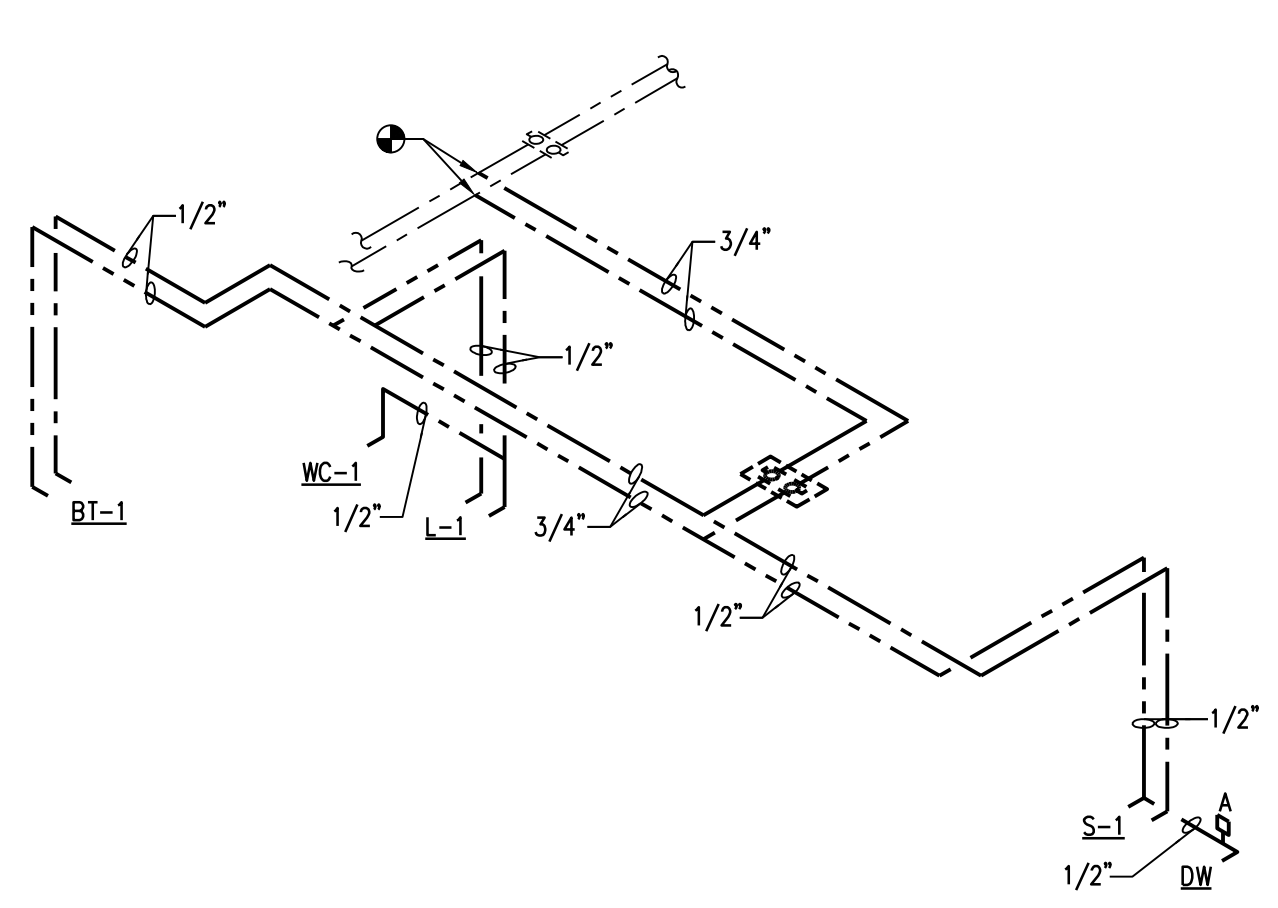
W1 WATER RISER DIAGRAM
SCALE: NTS
P500



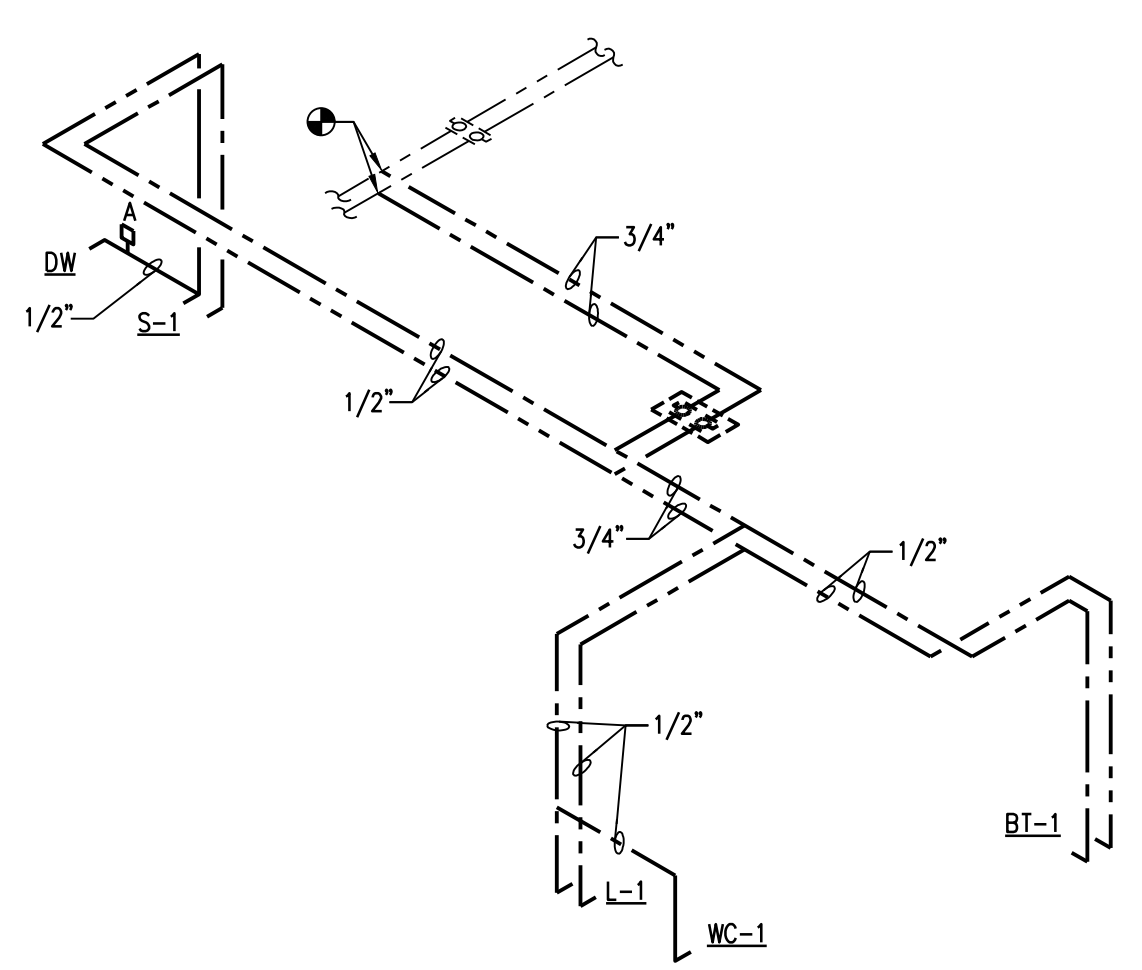
W2 WATER RISER DIAGRAM
SCALE: NTS
P500



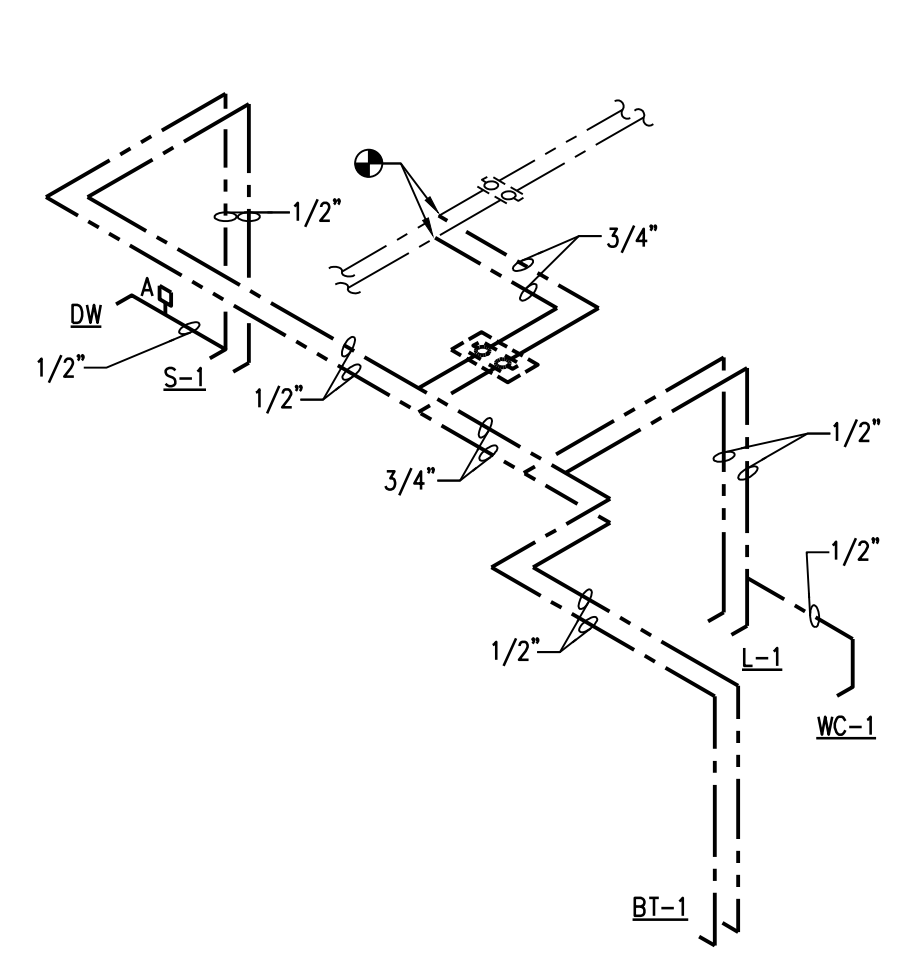
W3 WATER RISER DIAGRAM
SCALE: NTS
P500



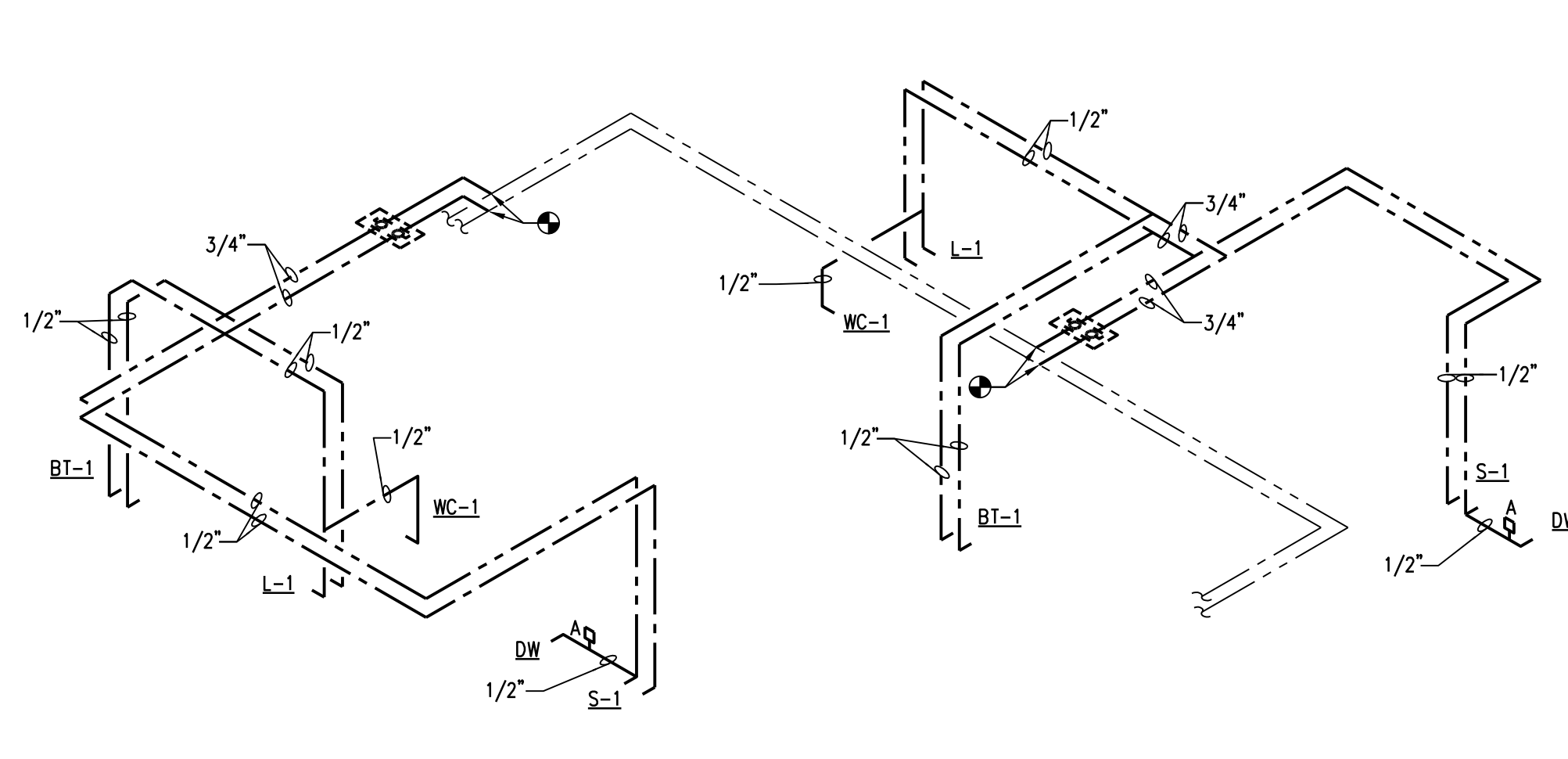
W4 WATER RISER DIAGRAM
SCALE: NTS
P500



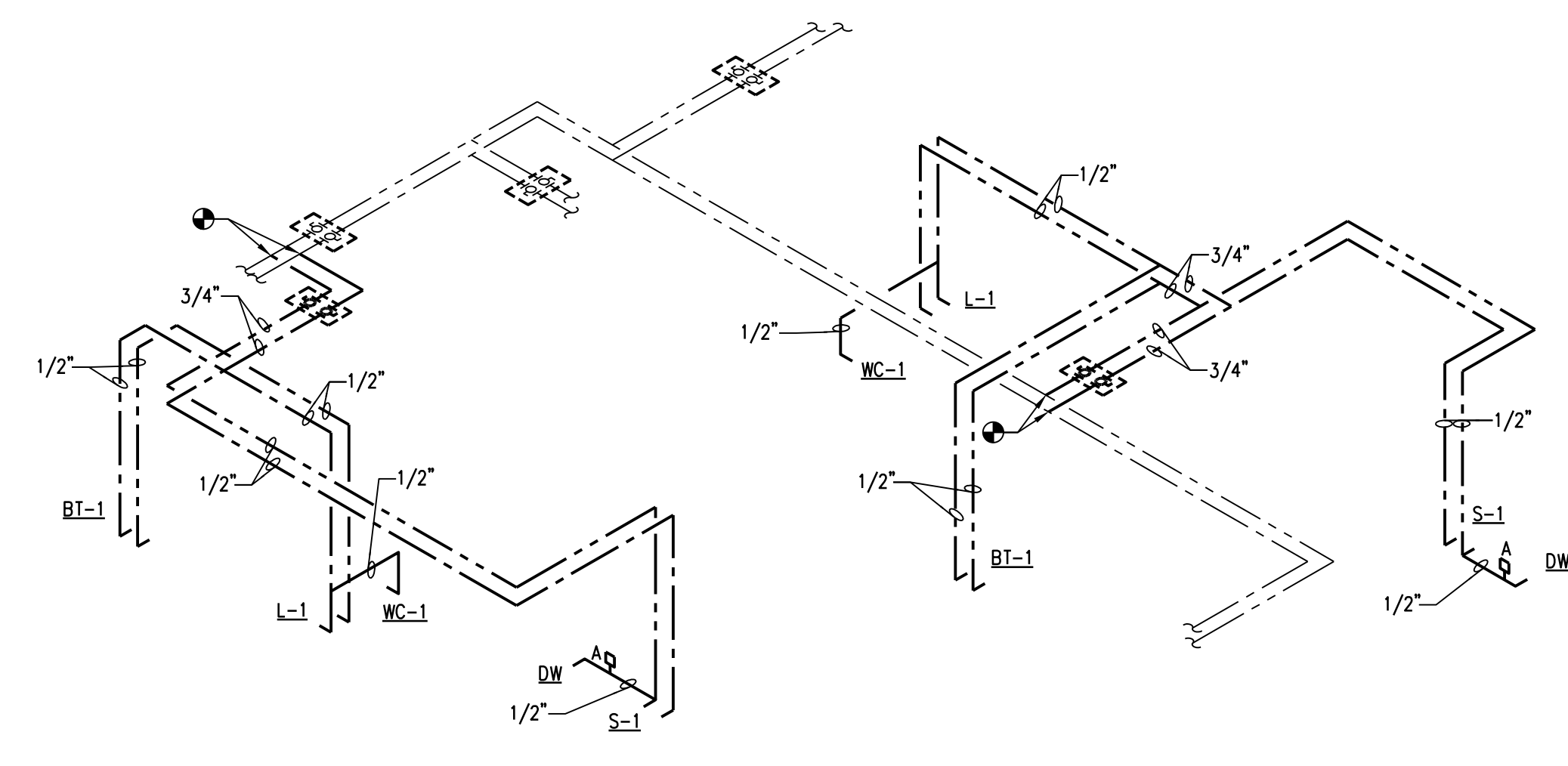
W5 WATER RISER DIAGRAM
SCALE: NTS
P500



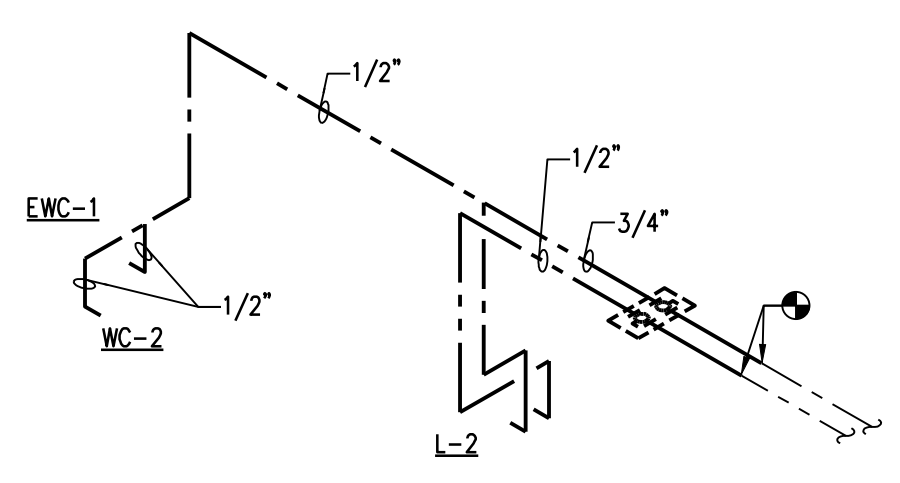
W6 WATER RISER DIAGRAM
SCALE: NTS
P500



W7 WATER RISER DIAGRAM
SCALE: NTS
P500



W8 WATER RISER DIAGRAM
SCALE: NTS
P500



W9 WATER RISER DIAGRAM
SCALE: NTS
P500

The Phoenix
Apartments
Interior Alterations

5802 Annapolis Road
Bladensburg, Maryland 20710

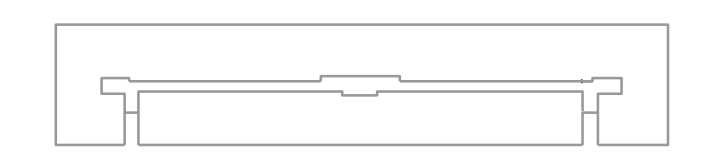
NOVITSKE ARCHITECTS

201 North Fairfax Street, Suite 33
Alexandria VA 22314
703 535 7899, 703 535 8840 fax



I certify that these documents were prepared by or approved by me and that I am a duly licensed professional engineer under the laws of the State of Maryland, license number 18505 expiration date 6/30/15.

key plan



graphic scales

project:	21413
phase:	PERMIT SET
date:	16 February 2015
revisions:	

RISERS - PLUMBING

PRINT DATE: 6/24/2014 5:12 PM SAVE DATE: 1/23/2015 1:40 PM FILE LOCATION: L:\14_JOBS\14203 - THE PHOENIX\DWG\14203P-500.DWG