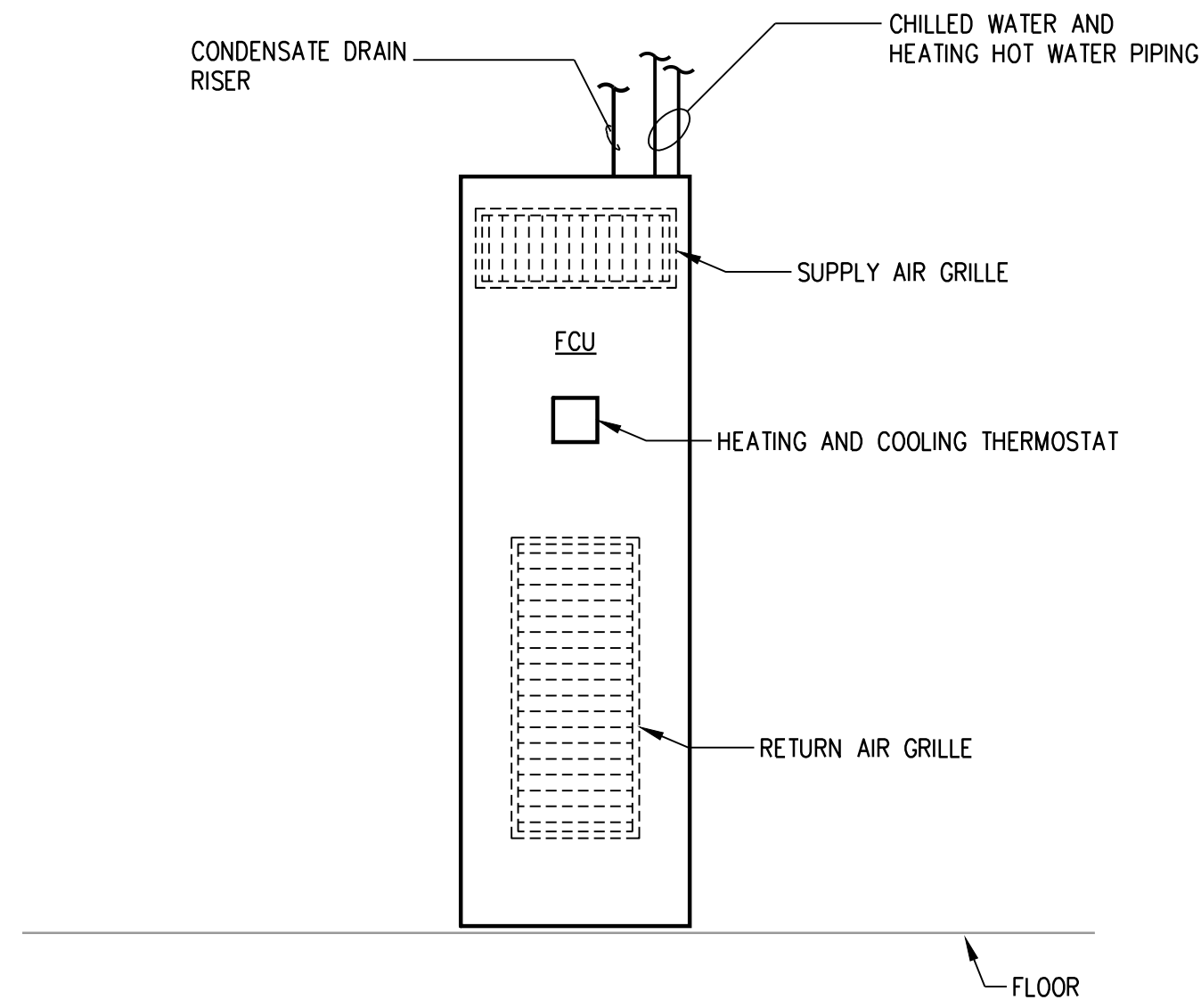


FAN COIL UNIT SCHEDULE

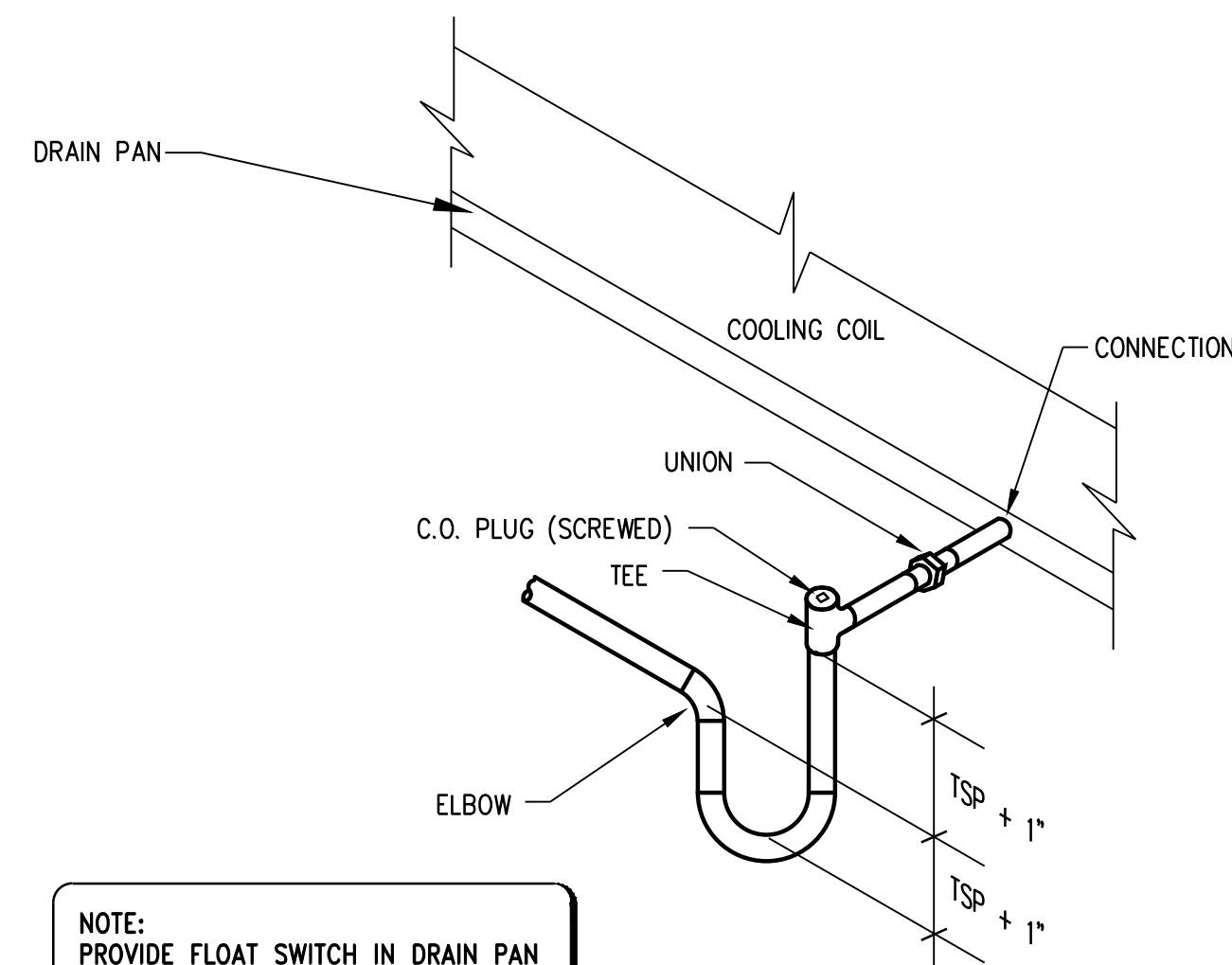
| MARK | CONFIG. | AREA SERVED | NOMINAL SA CFM | ESP (IN W.C.) | MOTOR | | | | COOLING PERFORMANCE | | | | | | HEATING PERFORMANCE | | | | | FILTER | EQUAL TO | | NOTES | | |
|-------|---------------|------------------|----------------|---------------|-------|-------|------|-----|---------------------|-------------------|----------|----------|-----------|-------------|---------------------|----------------|----------------|----------|----------|--------|-------------|-------------|----------------|------|--------------------|
| | | | | | TYPE | V-PH | HP | AMP | EAT DB/WB (DEG.F) | LAT DB/WB (DEG.F) | T.C. MBH | S.C. MBH | CHW (GPM) | EWT (DEG.F) | LWT (DEG.F) | EAT DB (DEG.F) | LAT DB (DEG.F) | S.H. MBH | HW (GPM) | | EWT (DEG.F) | LWT (DEG.F) | | MFG. | MODEL NO. |
| FCU-A | VERTICAL | RESIDENTIAL UNIT | 500 | 0.2 | ECM | 120/1 | 0.33 | 4.2 | 75/62.5 | 55/54.5 | 13.19 | 10.32 | 2.64 | 45 | 55 | 68 | 90 | 14.0 | 1.4 | 180 | 160 | THROW AWAY | THE WHALEN CO. | W502 | (1)(2)(3)(4)(5)(6) |
| FCU-B | VERTICAL | RESIDENTIAL UNIT | 600 | 0.2 | ECM | 120/1 | 0.5 | 6.2 | 75/62.5 | 55/54.5 | 16.96 | 13.16 | 3.4 | 45 | 55 | 68 | 90 | 17.0 | 1.7 | 180 | 160 | THROW AWAY | THE WHALEN CO. | W602 | (1)(2)(3)(4)(5)(6) |
| FCU-C | VERTICAL | RESIDENTIAL UNIT | 800 | 0.25 | ECM | 120/1 | 0.5 | 6.2 | 75/62.5 | 55/54.5 | 23.36 | 17.38 | 4.8 | 45 | 55 | 68 | 90 | 21.2 | 2.4 | 180 | 160 | THROW AWAY | THE WHALEN CO. | W802 | (2)(3)(4)(5)(6)(7) |
| FCU-F | FLOOR MOUNTED | FITNESS CENTER | 600 | 0.2 | ECM | 120/1 | 0.5 | 6.2 | 75/62.5 | 55/54.5 | 15.5 | 15.3 | 2.6 | 45 | 55 | 68 | 90 | 17.0 | 1.7 | 180 | 160 | THROW AWAY | THE WHALEN CO. | WVFB | (2)(3)(4)(5)(6)(8) |

NOTES:

- UNIT SHALL BE PROVIDED WITH FRONT AND REAR SUPPLY AIR DISCHARGE.
- UNIT SHALL BE PROVIDED WITH INTEGRAL DIGITAL THERMOSTAT AND CONTROLS.
- UNIT SHALL BE 2 PIPE HEATING/COOLING UNIT WITH FAN CYCLE CONTROL.
- UNIT SHALL BE PROVIDED WITH INTEGRAL CONDENSATE PUMP AND CONDENSATE FLOAT SWITCH MOUNTED IN DRAIN PAN TO DISCONNECT POWER TO UNIT IN CASE OF PUMP FAILURE AND CONDENSATE ACCUMULATION IN THE PAN.
- COORDINATE GRILLE FINISHES WITH ARCHITECT.
- PROVIDE WITH 1" THICK MERV 8 THROW AWAY FILTER.
- FOR 2 BEDROOM UNITS PROVIDE WITH FACTORY MOUNTED SUPPLY GRILLE ON FRONT OF THE UNIT AND DUCT CONNECTION FOR SUPPLY AIR ON TOP.
- FLOOR MOUNTED FAN COIL UNIT. COORDINATE FINISH WITH ARCHITECT PRIOR TO ORDER.



1 VERTICAL FCU DETAIL
M400 NTS



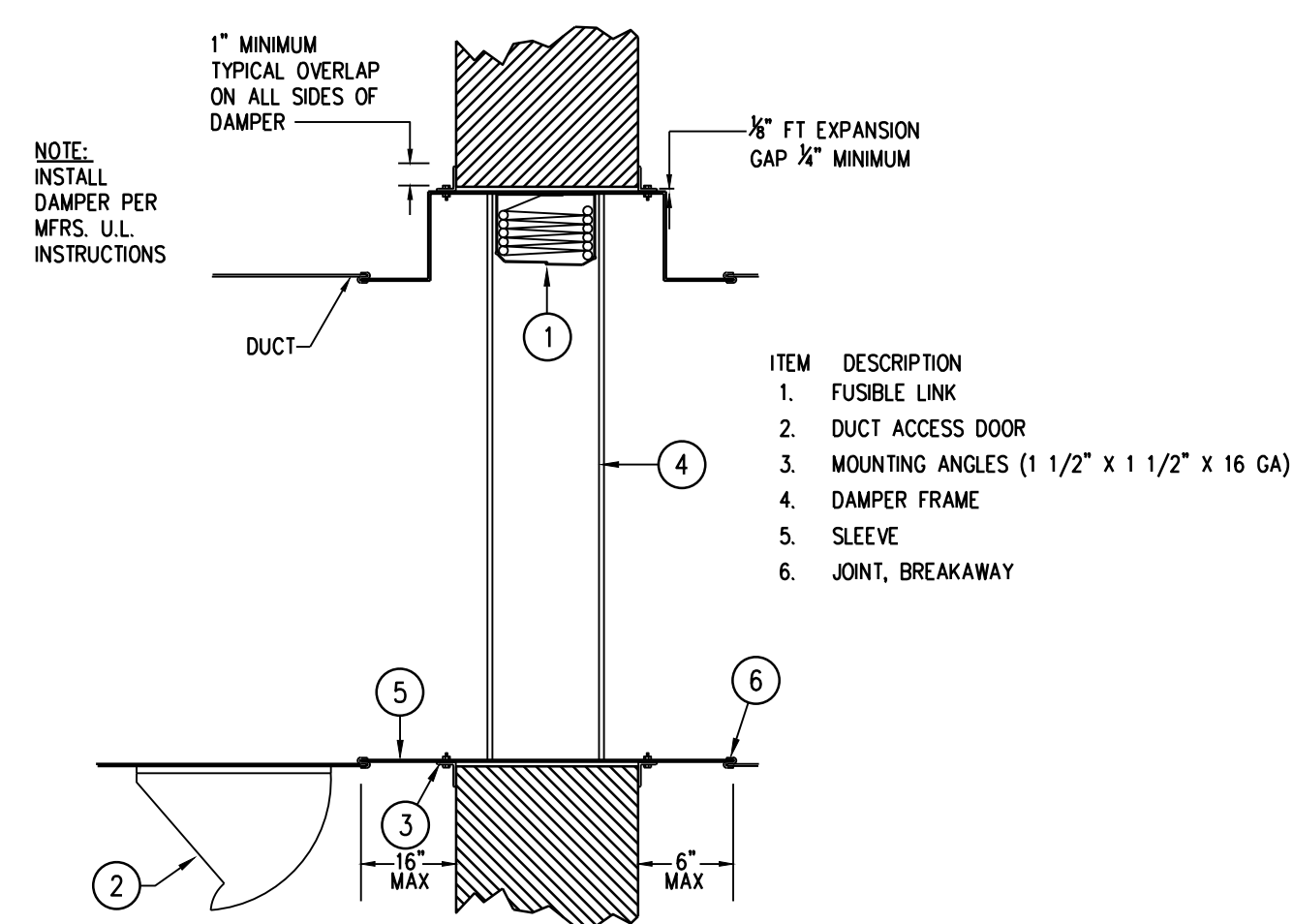
NOTE: PROVIDE FLOAT SWITCH IN DRAIN PAN TO SHUT THE UNIT DOWN WHEN WATER LEVEL IN PAN EXCEEDS 1/2"

2 CONDENSATE DRAIN DETAIL
M400 NTS

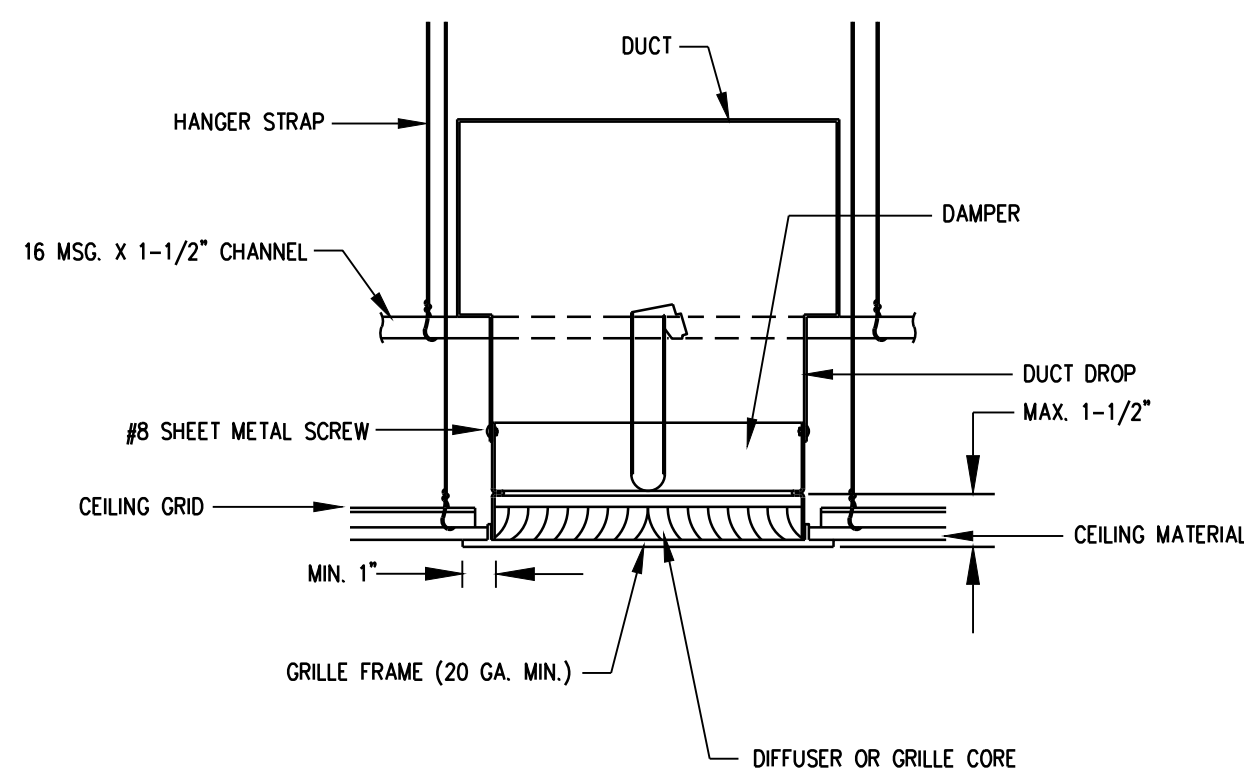
| MARK | SERVICE | TYPE | FAN | | | | MOTOR | | EQUAL TO | | NOTES |
|------|-------------------------|---------|-----|--------------|--------|-----|------------|-------|-----------|--------|--------------|
| | | | CFM | E.S.P. (IN.) | DRIVE | RPM | HP [WATTS] | V/Ø | MFG. | MODEL | |
| EF-1 | RESTROOMS | CEILING | 50 | 0.25 | DIRECT | 675 | [45] | 120/1 | GREENHECK | SP-B70 | (1)(2)(3)(4) |
| EF-2 | FITNESS CENTER RESTROOM | CEILING | 75 | 0.25 | DIRECT | 900 | [54] | 120/1 | GREENHECK | SP-B80 | (1)(2)(3)(4) |

NOTES:

- PROVIDE DISCONNECT SWITCH MOUNTED AT THE UNIT.
- PROVIDE WITH BACKDRAFT DAMPER.
- PROVIDE WITH CEILING RADIATION DAMPER.
- FAN SHALL BE CONTROLLED VIA WALL MOUNTED ON/OFF SWITCH PROVIDED BY ELECTRICAL CONTRACTOR.



3 FIRE DAMPER DETAIL
M400 U.L. #520 NTS



4 CEILING RADIATION DAMPER INSTALLATION
M400 ALL SUPPLY AIR DIFFUSERS MOUNTED ON A RATED CEILING SHALL BE PROVIDED WITH RADIATION DAMPER. NTS

The Phoenix Apartments
Interior Alterations

5802 Annapolis Road
Bladensburg, Maryland 20710

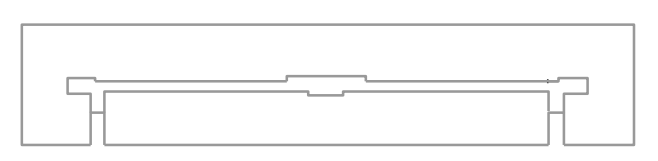
NOVITSKE ARCHITECTS

201 North Fairfax Street, Suite 33
Alexandria VA 22314
703 535 7899, 703 535 8840 fax



I certify that these documents were prepared by or approved by me and that I am a duly licensed professional engineer under the laws of the State of Maryland, license number 19505 expiration date 6/30/15.

key plan



graphic scales

project: 21413
phase: PERMIT SET
date: 16 February 2015
revisions:

SCHEDULES & DETAILS -
H.V.A.C.

M-400