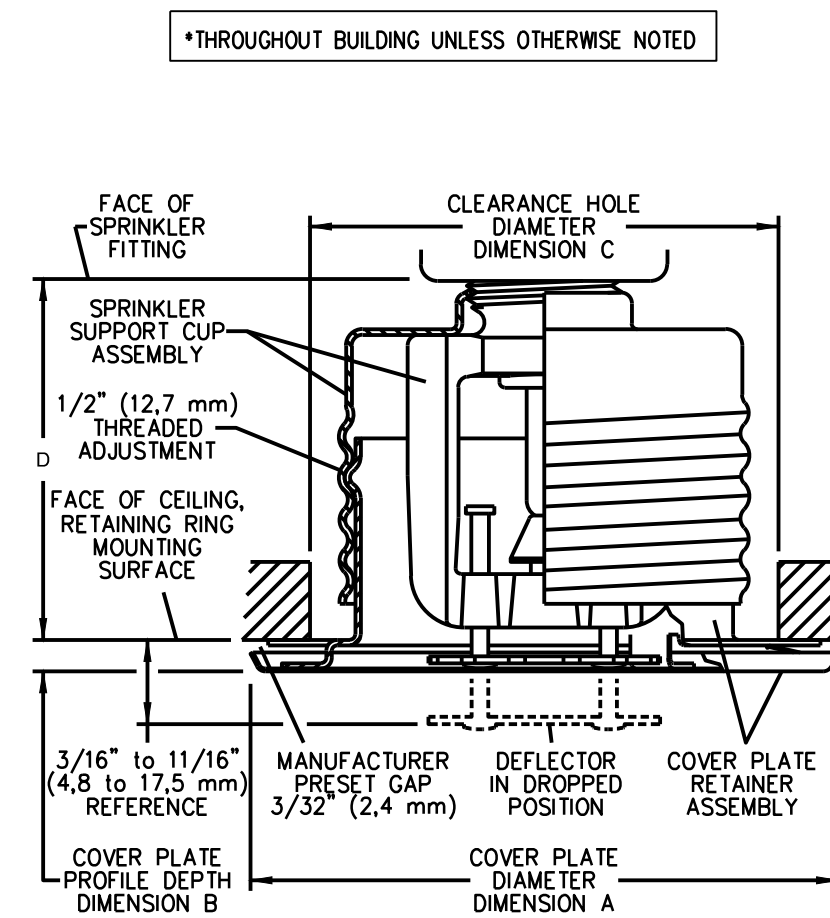


CROSS SECTION

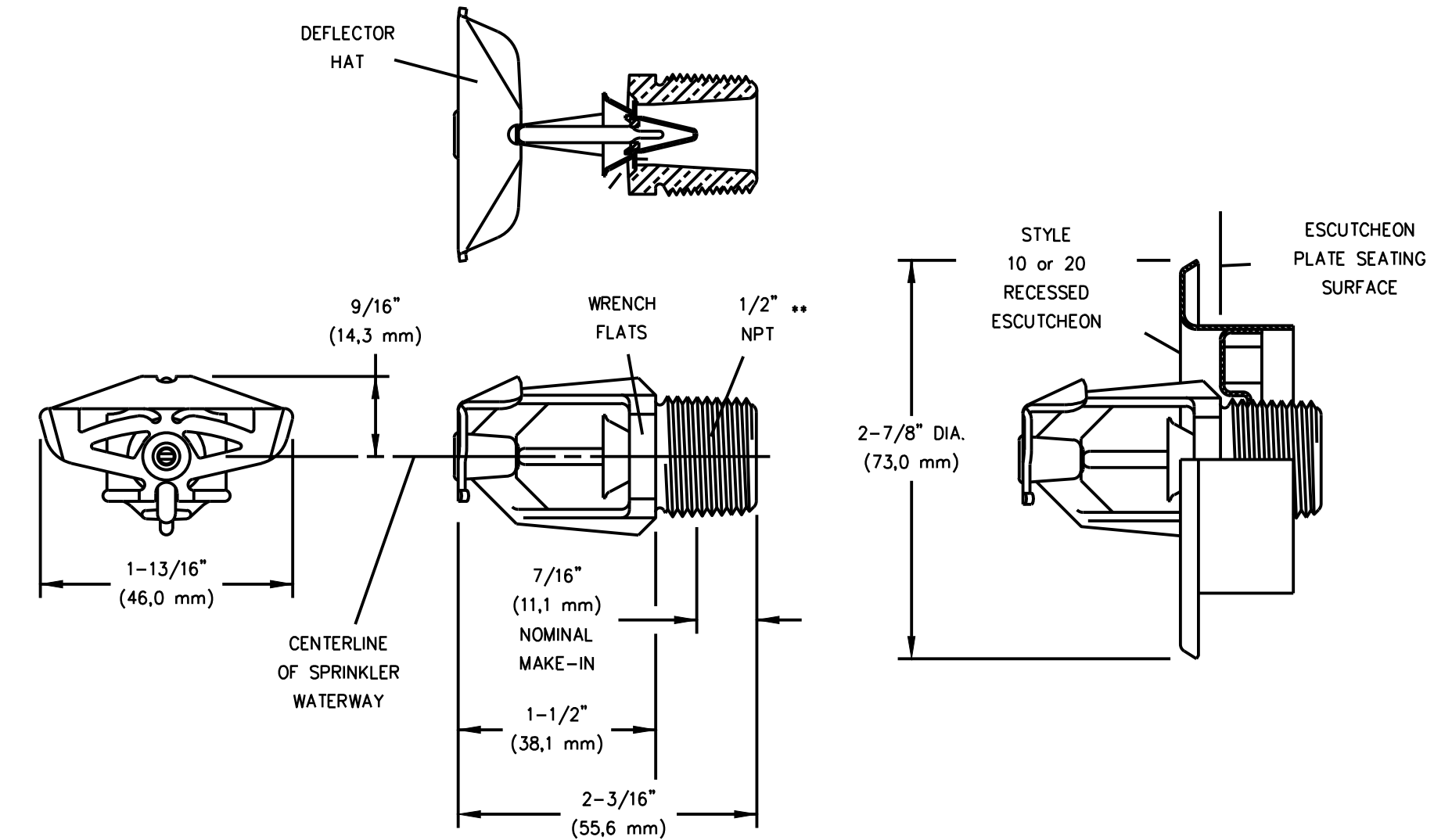
UPRIGHT

PENDENT

RECESSED PENDENT

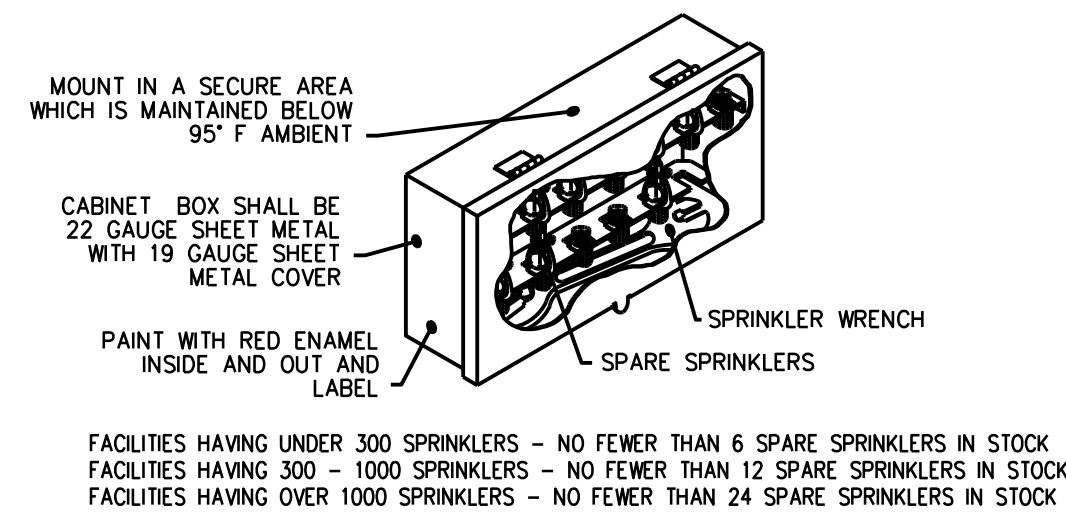


TYPICAL CONCEALED PENDENT SPRINKLER HEAD DETAIL

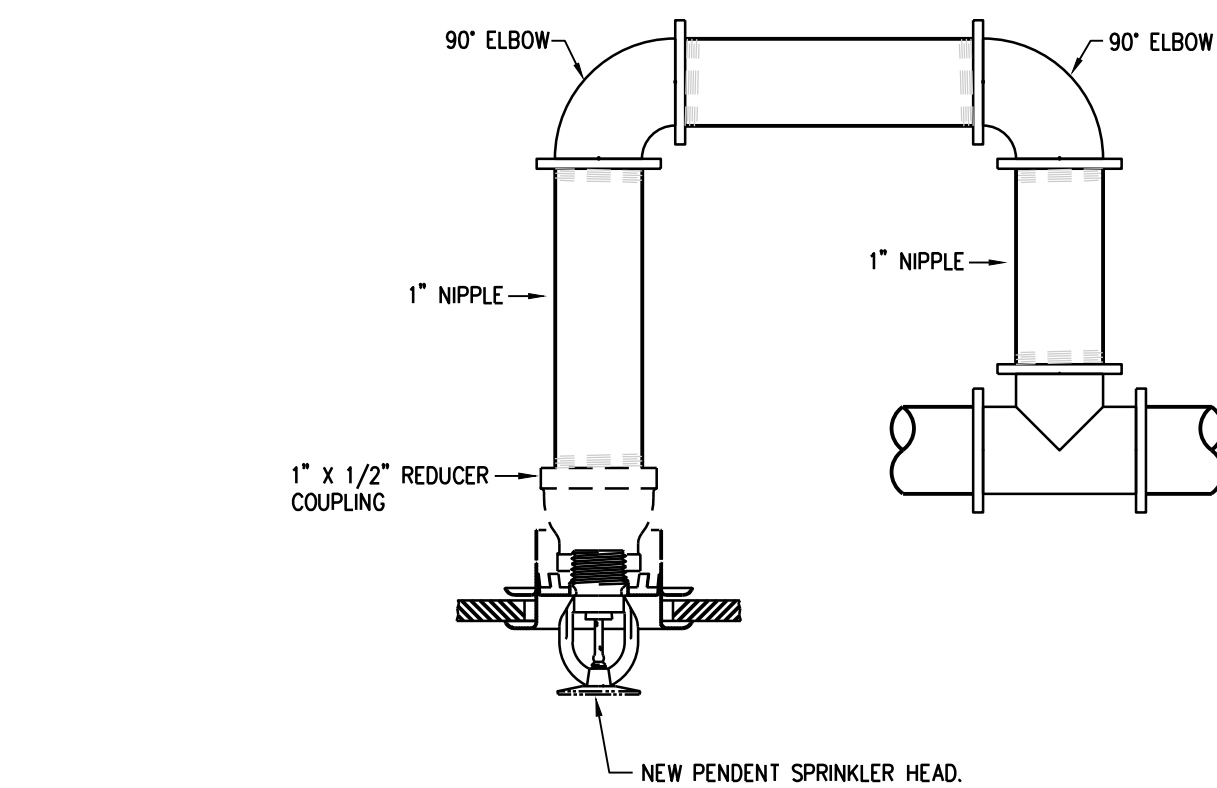


TYPICAL SIDEWALL SPRINKLER HEAD DETAIL

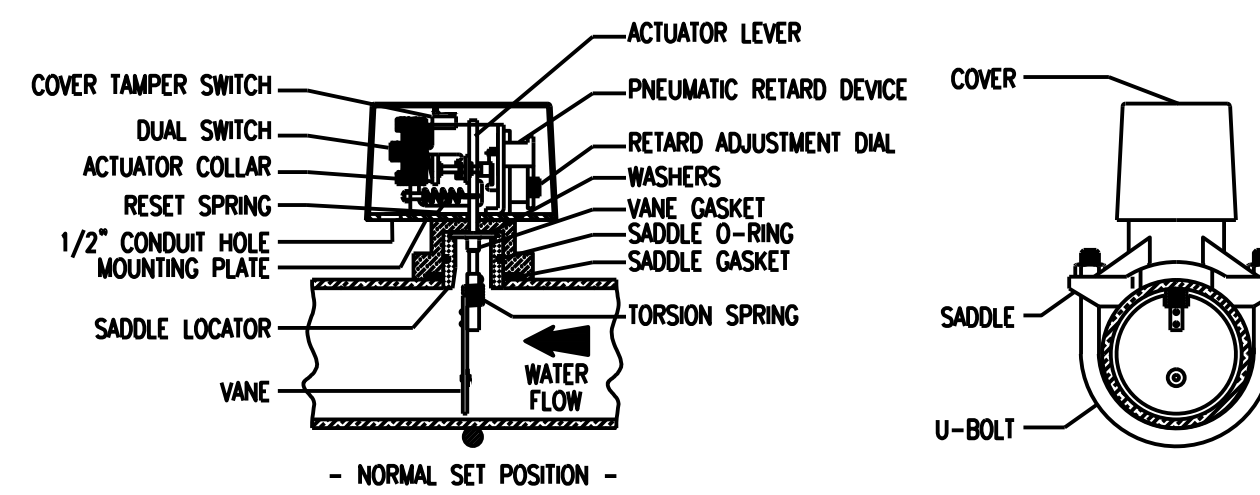
TYPICAL PENDENT AND UPRIGHT SPRINKLER HEAD DETAIL



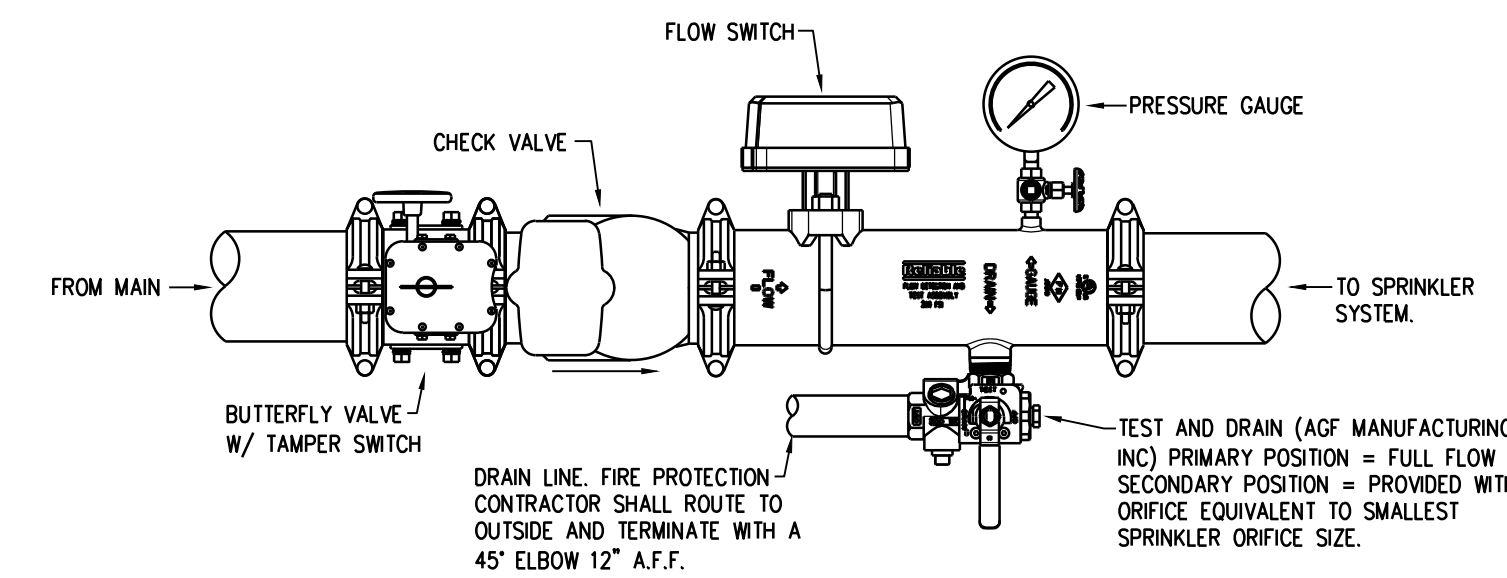
FIRE SPRINKLER SPARE HEAD CABINET



(HARD/ DROP CEILING INSTALLATION) RETURN BEND DETAIL



FLOW SWITCH INSTALLATION DETAIL



FLOOR CONTROL VALVE ASSEMBLY WITH TEST/DRAIN CONNECTION DETAIL

The Phoenix
 Apartments
 Interior Alterations

5802 Annapolis Road
 Bladensburg, Maryland 20710

NOVITSKE ARCHITECTS

201 North Fairfax Street, Suite 33
 Alexandria VA 22314
 703 535 7899, 703 535 8840 fax



I certify that these documents were prepared by or approved by me and that I am a duly licensed professional engineer under the laws of the State of Maryland, license number 18505 expiration date 6/30/15.

key plan

graphic scales

project: 21413
 phase: PERMIT SET
 date: 16 February 2015
 revisions:

DETAILS - FIRE PROTECTION

F-003