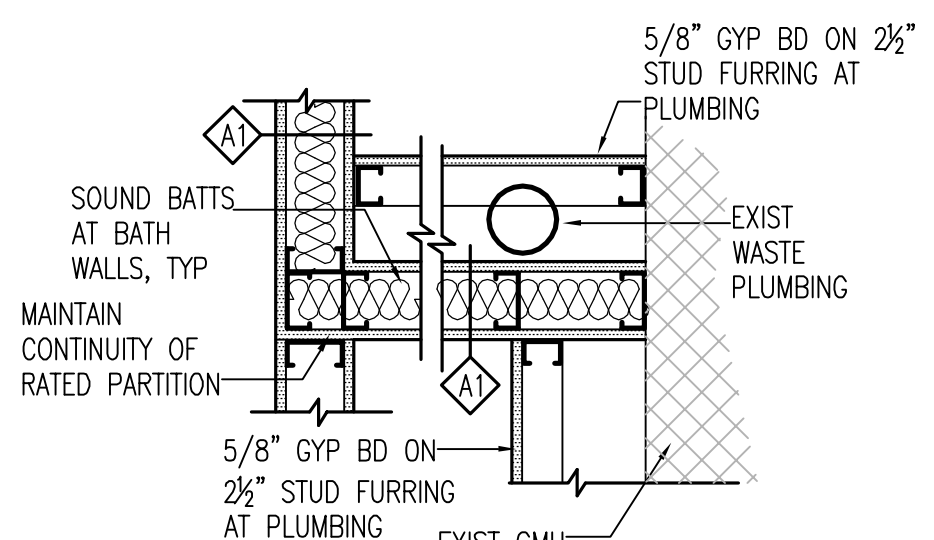
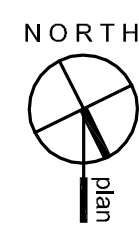
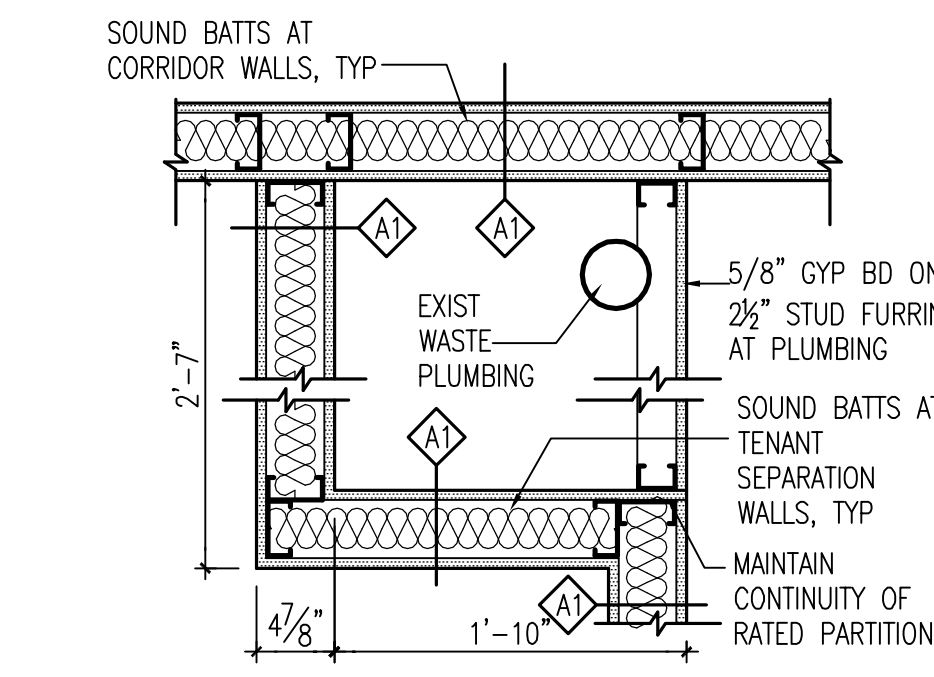


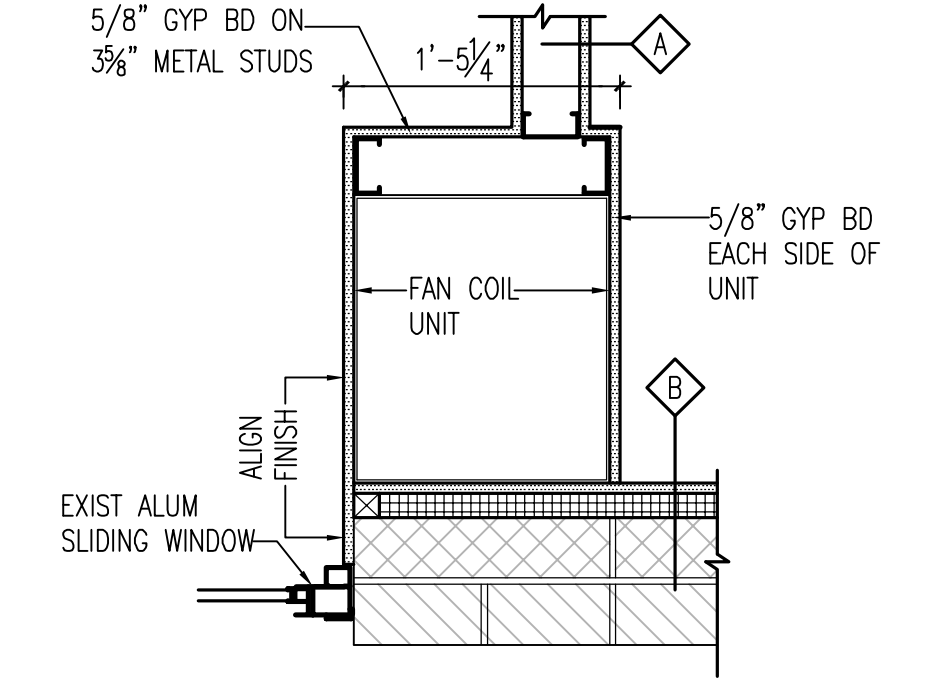
1 PARTIAL BASEMENT FLOOR PLAN
A303 SCALE: 1/4"=1'-0"



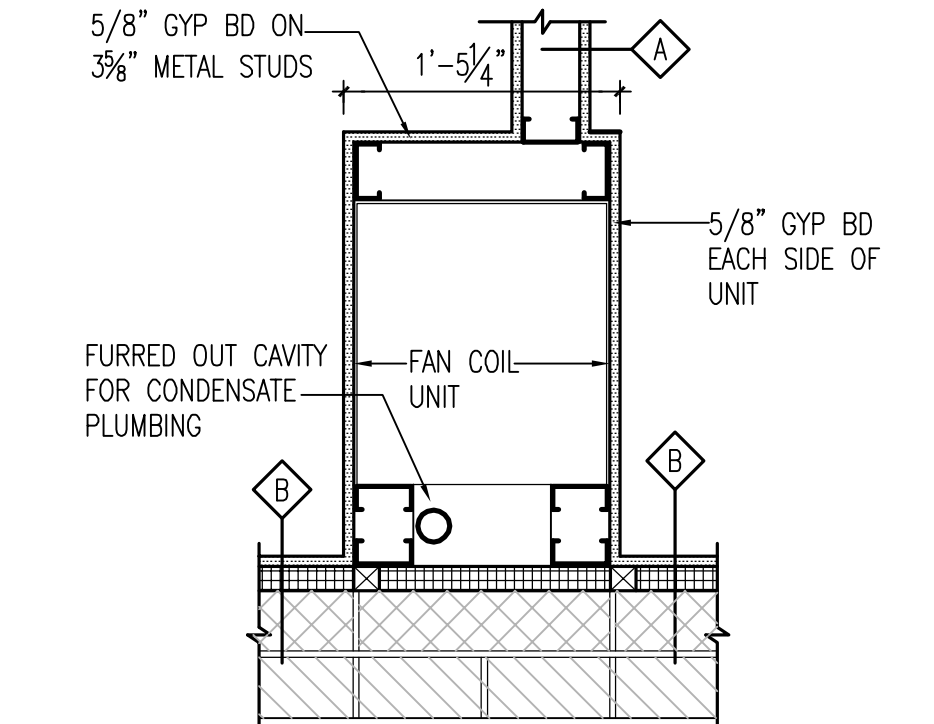
3 PLAN DETAIL
A303 SCALE: 1"=1'-0"



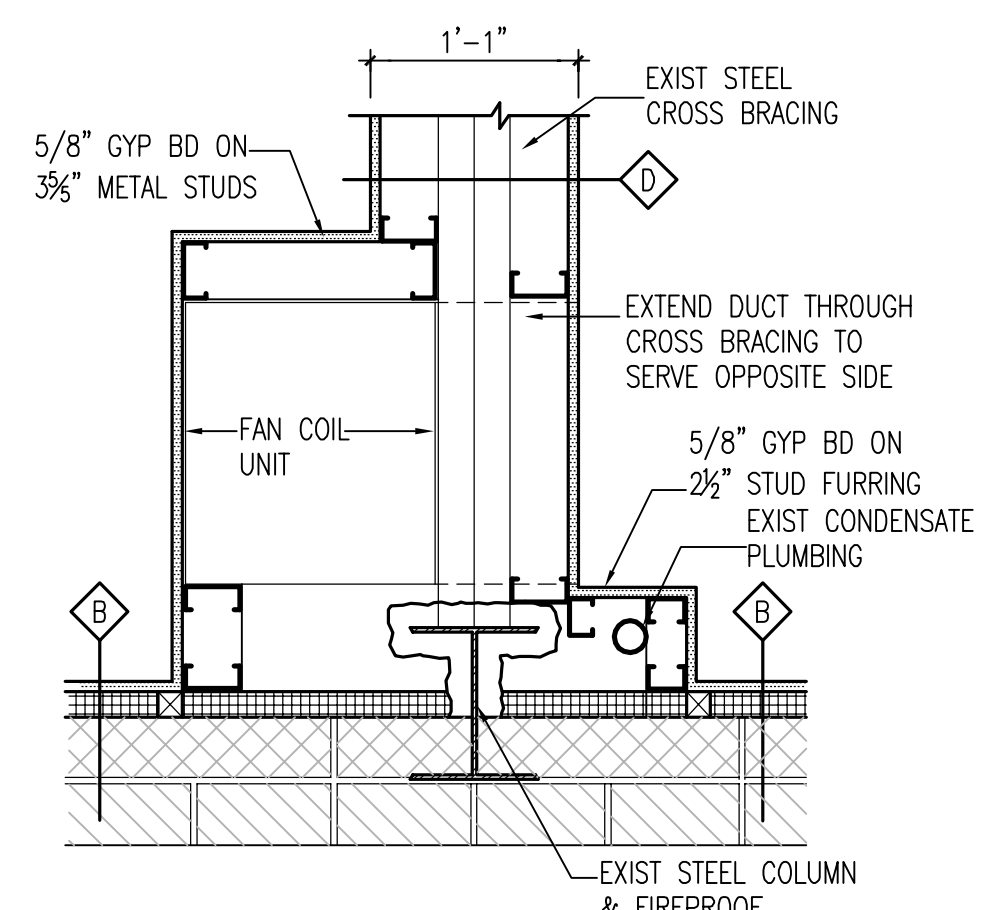
4 PLAN DETAIL
A303 SCALE: 1"=1'-0"



5 PLAN DETAIL
A303 SCALE: 1"=1'-0"



6 PLAN DETAIL
A303 SCALE: 1"=1'-0"



7 PLAN DETAIL
A303 SCALE: 1"=1'-0"

KEY NOTES

- 1 PROVIDE INSULATION IN EXTERIOR WALLS AND WALLS ABUTTING FOUNDATION WALLS.
- 2 ALIGN FINISHED WALL WITH FINISH AT EDGE OF WINDOW JAMB.
- 3 1'-6" x 1'-6" FLUSH ACCESS PANEL IN CEILING.
- 4 PROVIDE WALL CHASE CAVITY FOR EXISTING PLUMBING WASTE LINE IN NEW PARTITION.
- 5 FURRED OUT WALL AT FAN COIL UNIT PIPING AND AT CONDENSATE PIPING AGAINST EXTERIOR WALLS.
- 6 VINYL COATED WIRE SHELF, 12" DEEP.
- 7 (5) VINYL COATED WIRE SHELVES, 12" DEEP.
- 8 PROVIDE 12" x 12" ACCESS PANEL IN WALL AT EACH EXISTING WASTE PIPING CLEANOUT. POSITION HEIGHT TO ALIGN WITH CLEANOUT.

GENERAL NOTES

1. LOCATE CEILING ACCESS PANELS BELOW EXISTING HEATING AND COOLING CONTROL VALVES, AND BELOW ALL NEW DOMESTIC WATER VALVES.
2. CAULK ALL PIPING PENETRATIONS THROUGH FIRE RATED GYPSUM BOARD WALLS WITH 3M FIRE RATED FOAM FIP 1-STEP.
3. PROVIDE SOUND INSULATION BATTS IN WALLS SEPARATING APARTMENTS IN TENANT SEPARATION WALLS, BATH WALLS, AND WALLS BETWEEN CORRIDOR AND APARTMENTS.
4. PROVIDE VERTICAL BLINDS AT ALL WINDOWS IN APARTMENT UNITS.
5. ALL INTERIOR WALLS WITH NO WALL SYMBOL INDICATED ARE TYPE A.

The Phoenix
Apartments
Interior Alterations

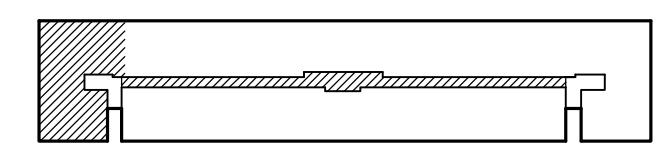
5802 Annapolis Road
Bladensburg, Maryland 20710

NOVITSKE ARCHITECTS

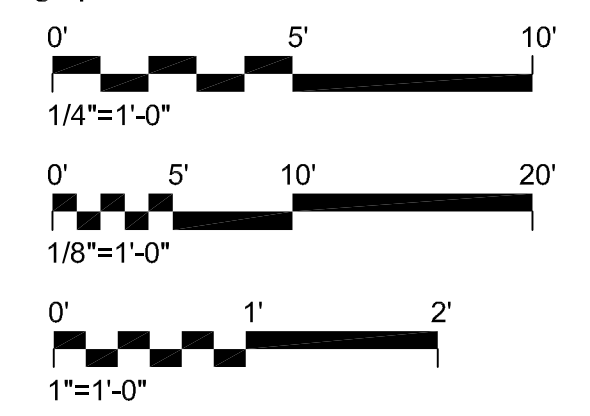
201 North Fairfax Street • Suite 33
Alexandria VA 22314
703 535 7899 • 703 535 8840 fax

I CERTIFY THAT THESE DOCUMENTS WERE PREPARED BY OR APPROVED BY ME AND THAT I AM A DULY LICENSED ARCHITECT UNDER THE LAWS OF THE STATE OF MARYLAND, LICENSE NUMBER 0013269, EXPIRATION DATE SEPT 27, 2016.

key plan



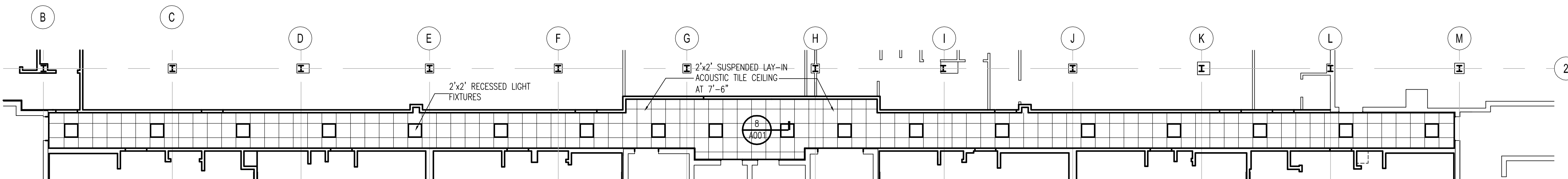
graphic scales



project: 21413
phase: Permit
date: 16 February 2015
revisions: 18 March 2015 - permit revisions

Building 5804
Large Scale Floor Plans

A303



2 CORRIDOR REFLECTED CEILING PLAN
A303 SCALE: 1/8"=1'-0"

