

ROOM FINISH SCHEDULE

ROOM	FLOOR	BASE	WALLS	CEILING	HEIGHT	REMARKS
ENTRY	VIN	WD	GYP BD	GYP BD	8'-0"	3, 7
LIVING/DINING	CPT1	WD	GYP BD	GYP BD	8'-0"	
BEDROOM	CPT1	WD	GYP BD	GYP BD	8'-0"	
BATH	VIN	WD	GYP BD	GYP BD	8'-0"	3, 5, 6, 7, 8
KITCHEN	VIN	WD	GYP BD	GYP BD	8'-0"	3, 6, 7, 8
CORRIDOR	VIN/CPT2	WD/VB	GYP BD	ACT	8'-0"	1, 2, 6
FITNESS	CPT2/RUB	WD	GYP BD	GYP BD	9'-6"	
WOMEN	EXIST	WD/EXIST	GYP BD	ACT	8'-0"	4, 6
MEN	VIN	WD	GYP BD	ACT	8'-0"	3, 6
STORAGE - EXIST	EXIST	VB	GYP BD	EXIST	EXIST	2
LAUNDRY	EXIST	VB	GYP BD	EXIST	EXIST	6

FINISHES KEY

ACT	2'x2' SUSPENDED LAY-IN ACOUSTIC TILE CEILING
CPT1	CARPET, SHAW INDUSTRIES ULTIMATE INVESTMENT, COLOR: NATURAL WOOD
CPT2	CARPET, MOHAWK TUITION, UNITARY NYLON, 26 OZ
GYP BD	PAINTED GYPSUM BOARD
RUB	24x24" 3/8" INTERLOCKING RUBBER TILES, JOHNSONITE REPLAY, COLOR: 523 SKY
VIN	RESILIENT SHEET VINYL, SHAW INDUSTRIES, KITTEREDGE, COLOR: WALNUT
WD	PAINTED WOOD BASE
VB	4" VINYL BASE, JOHNSONITE COVE BASE, COLOR: #22 CANVAS

REMARKS KEY

- PROVIDE WOOD CHAIR RAIL IN CORRIDOR AT AREAS WITH CARPET FLOORING, SMOOTH LUMBER SM-225.
- PROVIDE WOOD BASE ON CORRIDOR SIDE, VINYL BASE ON STORAGE AND LAUNDRY ROOM SIDE OF PARTITIONS.
- PROVIDE PAINTED WOOD SHOE MOLDING AT AREAS WITH VINYL FLOORING.
- PROVIDE NEW WOOD BASE AND SHOE MOLDING TO MATCH EXISTING AT NEW FURRED OUT WALL.
- PROVIDE ACRYLIC TUB SURROUND ON WALLS IN SHOWER.
- PROVIDE SEMI-GLOSS FINISH ON PAINTED GYPSUM BOARD.
- PROVIDE VINYL REDUCER STRIP BETWEEN CARPET AND VINYL FLOORING, JOHNSONITE CRS-XX-A
- PROVIDE WOOD SHOW MOLDING AT CABINET BASE AND VINYL FLOORING.

CABINET SCHEDULE

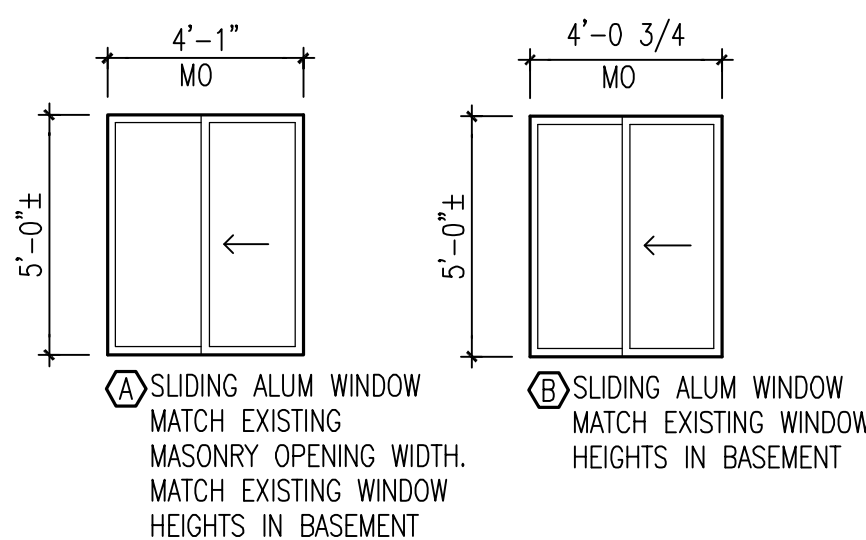
B9	9" BASE WITH DRAWER
BC36	36" BLIND CORNER BASE WITH DRAWER
BC45	45" BLIND CORNER BASE WITH DRAWER
SB33	33" SINK BASE
W9	9" WALL x 30" HEIGHT
W24	24" WALL x 30" HEIGHT
W30	30" WALL x 30" HEIGHT
W33	33" WALL x 30" HEIGHT
CW24	24" CORNER WALL x 30" HEIGHT
W3018	30" WALL x 18" HEIGHT, ABOVE RANGE
W3015	30" WALL x 15" HEIGHT, ABOVE REFRIGERATOR
VB36	36" VANITY BASE CABINET
VB42	42" VANITY BASE CABINET

ALL CABINETS ARE ARMSTRONG, CORONET STYEL, RAISED PANEL, HONEY FINISH

TOILET ACCESSORY SCHEDULE

- (GB) GRAB BAR, 1 1/2" DIAMETER, BRUSHED STAINLESS STEEL FINISH
- (MR) WALL MOUNTED MIRROR, STAINLESS STEEL SHELF & FRAME, BRADLEY 7815
- (TPI) TOILET TISSUE DISPENSER, SINGLE ROLL, BRADLEY 5104
- (TP2) SINGLE ROLL TOILET PAPER DISPENSER, TAYMOR SN7908, SATIN NICKEL FINISH
- (SP) SURFACE MOUNTED LIQUID SOAP DISPENSER, BRUSHED STAINLESS STEEL, BRADLEY 6542
- (TB) SURFACE MOUNTED, 24" TOWEL BAR, TAYMOR SN7924, SATIN NICKEL FINISH
- (HD) WALL MOUNTED ELECTRIC HAND DRYER, BRADLEY 2904-28.

WINDOW SCHEDULE



MATERIALS SPECIFICATIONS

CONCRETE

CONCRETE FLOOR LEVELING
SIKA LEVEL 125, SELF-LEVELING CEMENTITIOUS UNDERLAYMENT

MASONRY

CONCRETE MASONRY UNITS
ASTM C-90 8"x16"x4" CONCRETE UNITS USING TYPE S MORTAR. PROVIDE 8" LADDER HORIZONTAL JOINT REINFORCING AT EVERY OTHER COURSE

METALS

STEEL LINTEL
3"x4 1/2"x3/8", GALVANIZED, LONG LEG VERTICAL

WOODS & PLASTICS

WOOD WALL BASE
PAINT GRADE PINE, 3/4" OGEE WM-623 PROFILE

WOOD CHAIR RAIL
PAINT GRADE PINE, 1 1/2"x3/8", SMOOTH LUMBER SM-225 PROFILE

THERMAL & MOISTURE PROTECTION

BITUMINOUS DAMP PROOFING
KARNAK #220AF FIBERED EMULSION DAMPPROOFING

RIGID INSULATION
1/2" POLYISOCYANURATE INSULATION WITH FOIL FACING, TAPED JOINTS

BATHTUB WALL SURROUND
ALCOVE TILE KIT BATHTUB WALL, HIGH GLOSS WHITE GRANITE, MASCO ABS #363006

CONCRETE FLOOR SEALER
WATER-BASED, H&C CONCRETE SEALER, #6503

DOORS & WINDOWS

INTERIOR DOORS
1 3/4" MOLDED COMPOSITE, JELD-WEN COMMERCIAL WIDE STYLE HOLLOW METAL FRAMES, WELDED CONSTRUCTION, 16 GAUGE

INTERIOR METAL DOORS
1 3/4" STANDARD STEEL, LEVEL II 18 GAUGE, FLUSH DESIGN, MINERAL FIBER CORE HOLLOW METAL FRAMES, WELDED CONSTRUCTION, 16 GAUGE

EXTERIOR METAL DOORS
1 3/4" STANDARD STEEL, ZINC GALVANIZED, LEVEL II, 18 GAUGE, FLUSH DESIGN, INSULATED POLYSTYRENE CORE HOLLOW METAL FRAMES, WELDED CONSTRUCTION, ZINC COATED, 16 GAUGE

FIRE GLASS
TPG FIRELITE PLUS, 5/16" THICK, LAMINATED IMPACT RESISTENT SAFETY GLASS, 30 MINUTE RATING, MINIMUM

ALUMINUM WINDOW
HORIZONTAL SLIDING, EXTRUDED ALUMINUM WHITE POWDER COAT, WITH THERMAL BREAK, 0.06" NOMINAL MEMBER THICKNESS, 1" NOMINAL DOUBLE GLAZED, WITH SASH LOCKS, ALUMINUM ANCHOR, VINYL INTERIOR CASING. MATCH EXISTING WINDOW DIMENSIONS & CASING. WINDOW AND GLAZING WITH ARGON GAS FILLED DOUBLE PANE GLAZING, V FACTOR=0.045 MAX, SHGC = 0.024 MAX

FINISHES

KITCHEN COUNTER
PLASTIC LAMINATE, ROLLED EDGE WITH INTEGRAL BACKSPLASH, WILSONART GINSENG TEA #4909-60

VANITY COUNTER
37"x22", CULTURED MARBLE WITH RECESSED INTEGRAL BOWL, COLOR: SOLID WHITE

SUSPENDED LAY-IN TILE CEILINGS
LAY-IN TILE, ARMSTRONG FIRE GUARD 24"x24" PANELS, MINERAL FIBER, FINE FISSURED SQUARE EDGE
PANEL CEILING SUSPENSION SYSTEM, ARMSTRONG PLELUD FIRE GUARD, 1" TEE WITH ALUMINUM CAP

PAINT
GYPSUM BOARD PRIMER: SHERWIN WILLIAMS LATEX DRYWALL PRIMER
GYPSUM BOARD FINISH, LIVING AREAS: SHERWIN WILLIAMS PRO MAR 200 INTERIOR WATERBASED ACRYLIC, EGGSHELL
GYPSUM BOARD FINISH, BATH, CORRIDOR, STORAGE TOILET, KITCHEN: SHERWIN WILLIAMS PRO MAR 200 INTERIOR WATERBASED ACRYLIC SEMI-GLOSS
METAL DOORS & FRAME PRIMER, SHERWIN WILLIAMS PRO MAR 200
METAL DOORS & FRAME FINISH, SHERWIN WILLIAMS DURATION
BRICK PRIMER, LOXON CONCRETE & MASONRY PRIMER/SEALER, SHERWIN WILLIAMS
BRICK FINISH, ACRYLIC LATEX, SHERWIN WILLIAMS DURATION

SPECIALTIES

WINDOW BLINDS
VERTICAL BLIND, ONE WAY DRAW WITH WAND CONTROL, 3/2" VINYL SLATS, COLOR: WHITE

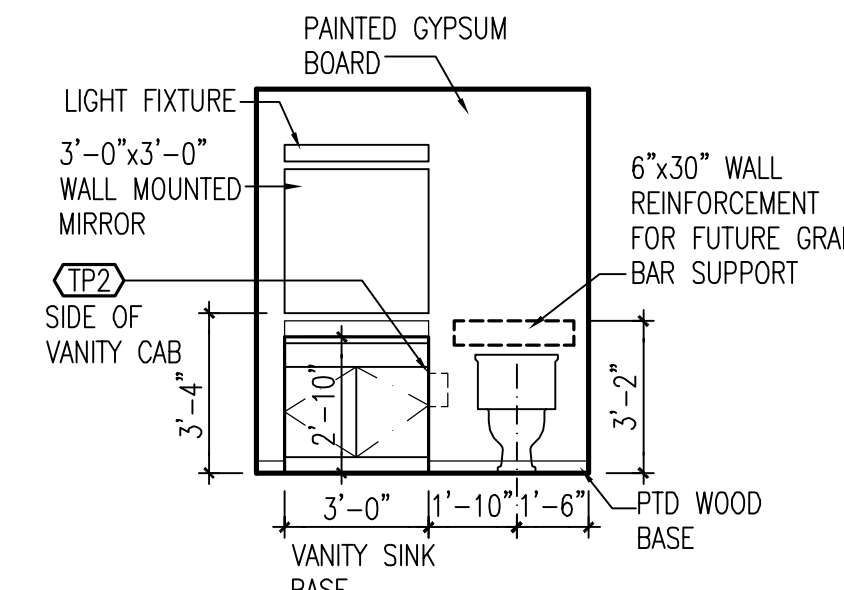
CEILING ACCESS HATCH
2" THICK DOOR, FE SERIES 2-HR FIRE RATED INSULATED FLUSH ACCESS PANELS FOR CEILINGS, JL INDUSTRIES

FIRE EXTINGUISHER CABINET
CABINET, LARSEN GEMINI SERIES, RECESSED CABINET, CLEAR DOOR GLAZING

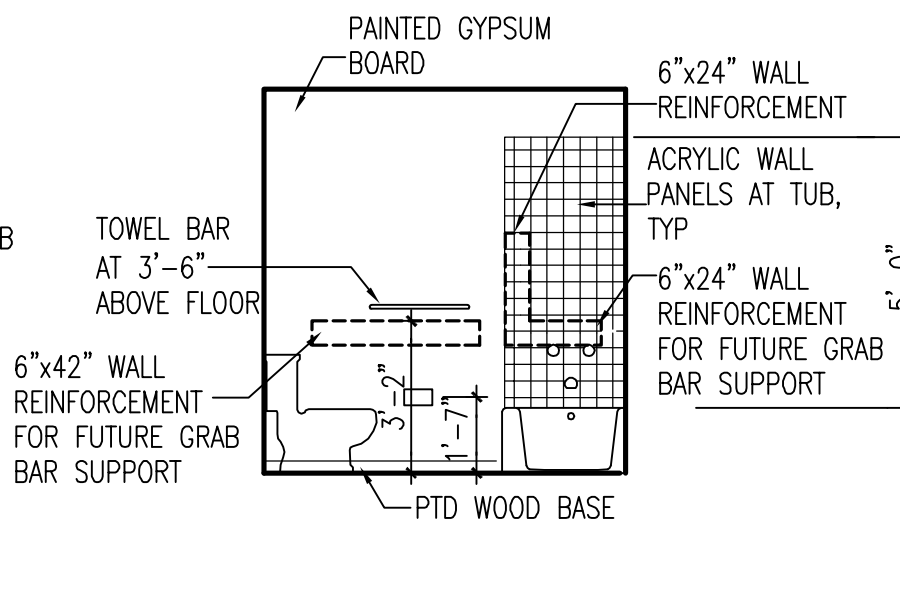
EXTINGUISHER
2 1/2 GALLON CAPACITY, DRY CHEMICAL, CLASS A, B, C FIRE

FIRE SEALANT
FOAMING, 3M FIRE RATED SEALANT, FIP 1 STEP

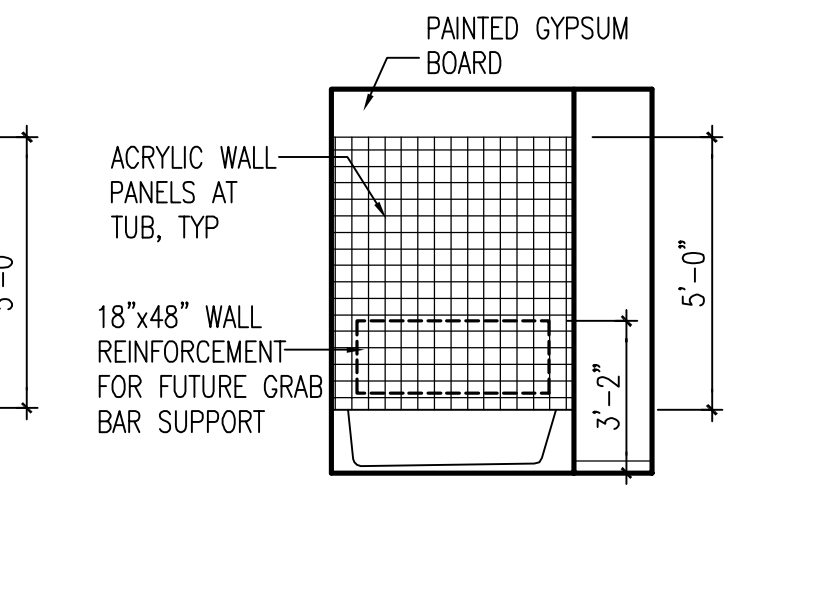
SIGNAGE
6"x9" PLASTIC RESTROOM SIGN, UNIVERSAL GENDER SYMBOLS, RAISED WHITE LETTERS ON DARK BACKGROUND, WITH GRADE 1 BRAILLE, SURFACE MOUNTED, 1 SIGN OUTSIDE EACH TOILET ROOM



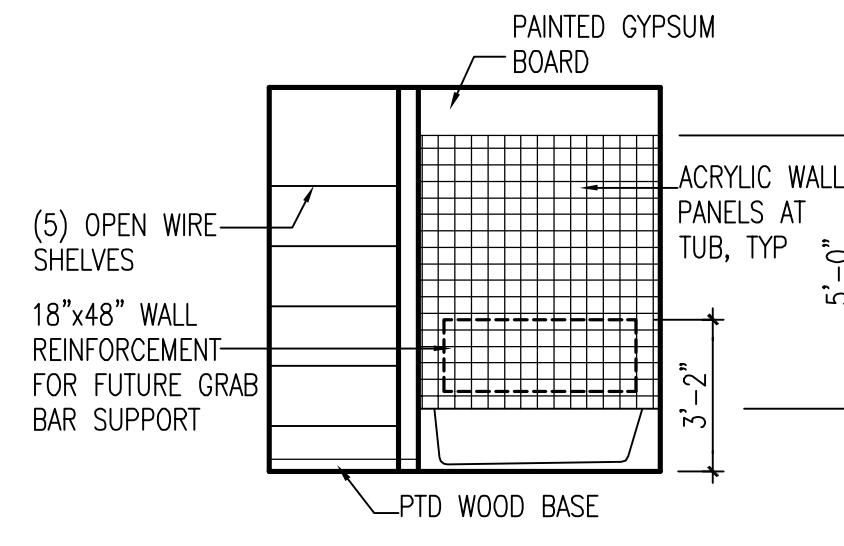
1 BATH ELEVATION
SCALE: 1/4"=1'-0"



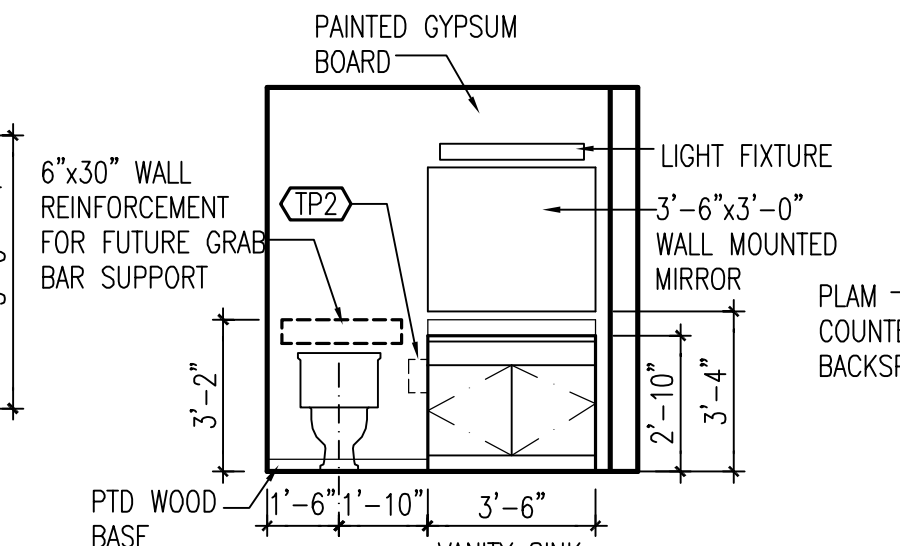
2 BATH ELEVATION
SCALE: 1/4"=1'-0"



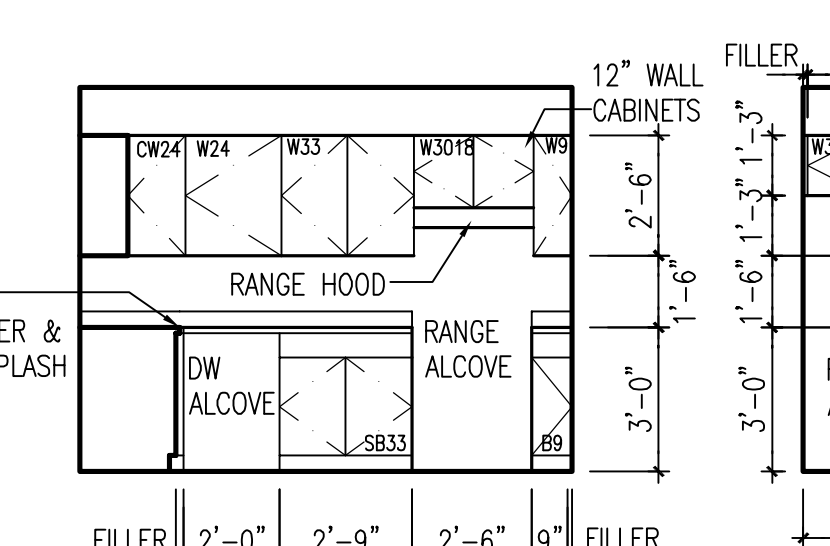
3 BATH ELEVATION
SCALE: 1/4"=1'-0"



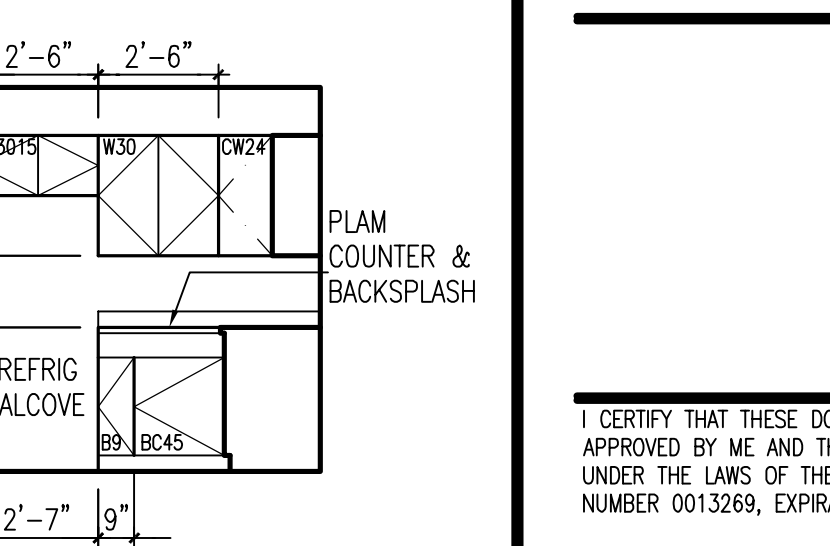
4 BATH ELEVATION
SCALE: 1/4"=1'-0"



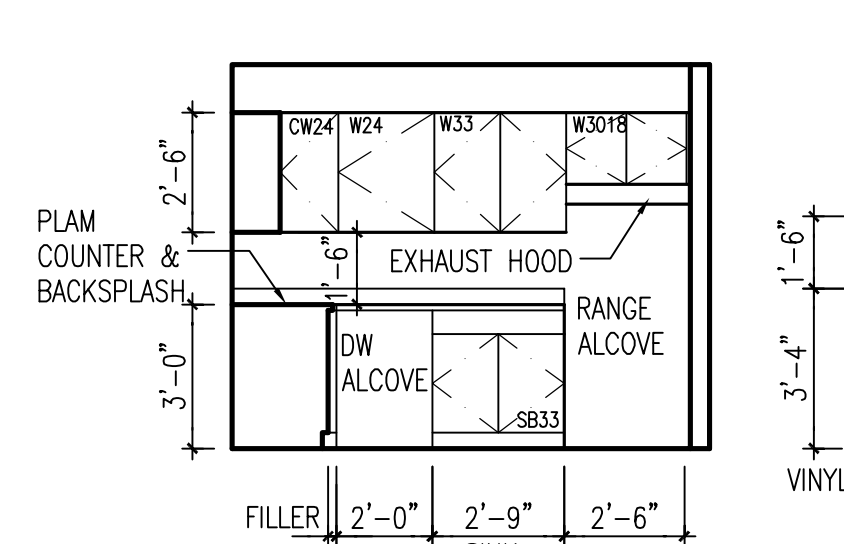
5 BATH ELEVATION
SCALE: 1/4"=1'-0"



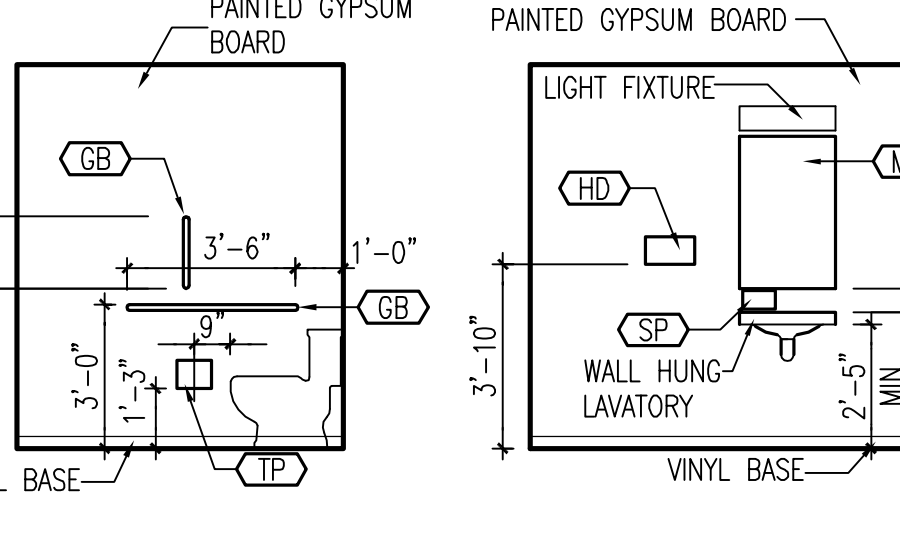
6 KITCHEN ELEVATION
SCALE: 1/4"=1'-0"



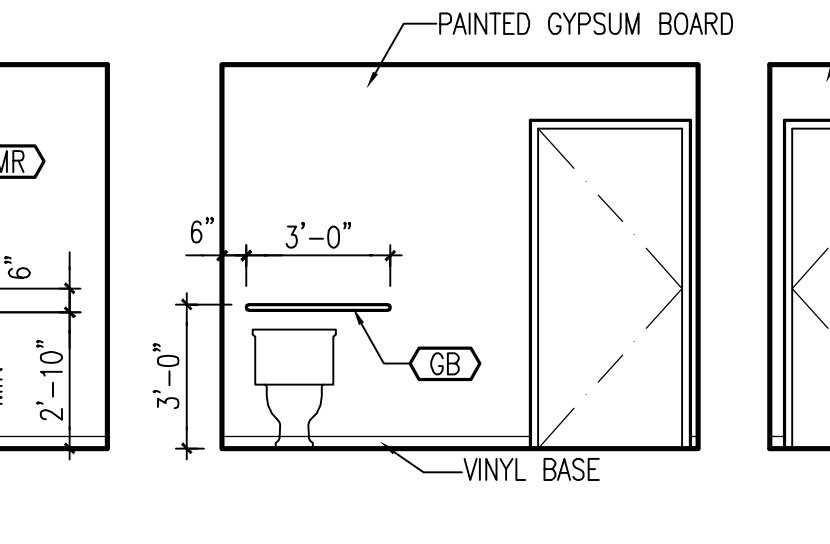
7 KITCHEN EL
SCALE: 1/4"=1'-0"



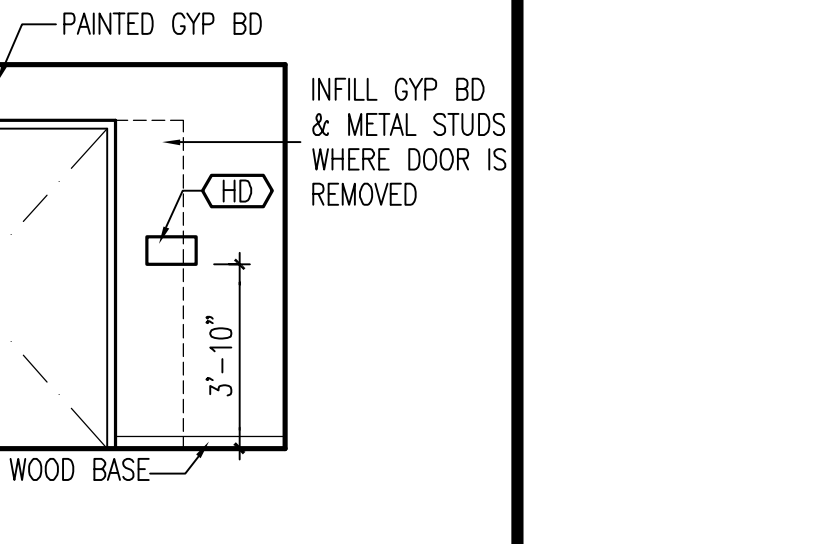
8 KITCHEN ELEVATION
SCALE: 1/4"=1'-0"



9 MENS EL
SCALE: 1/4"=1'-0"



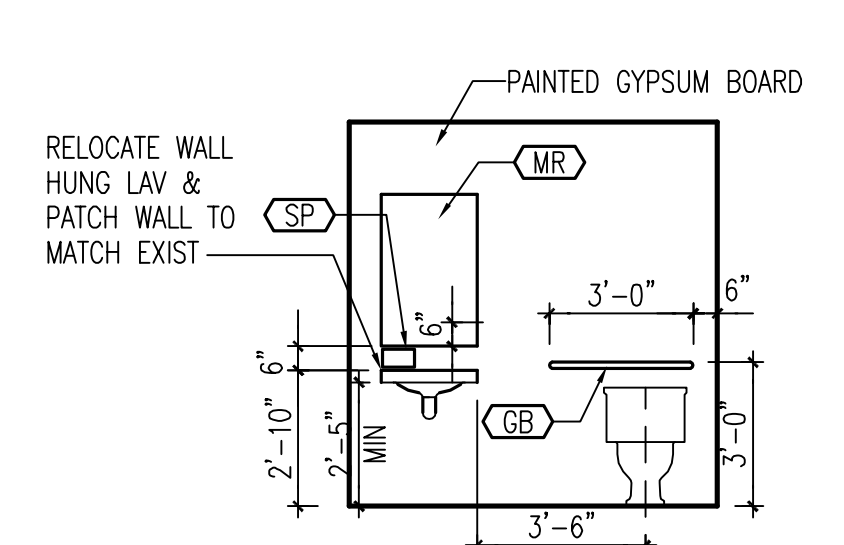
10 MENS ELEVATION
SCALE: 1/4"=1'-0"



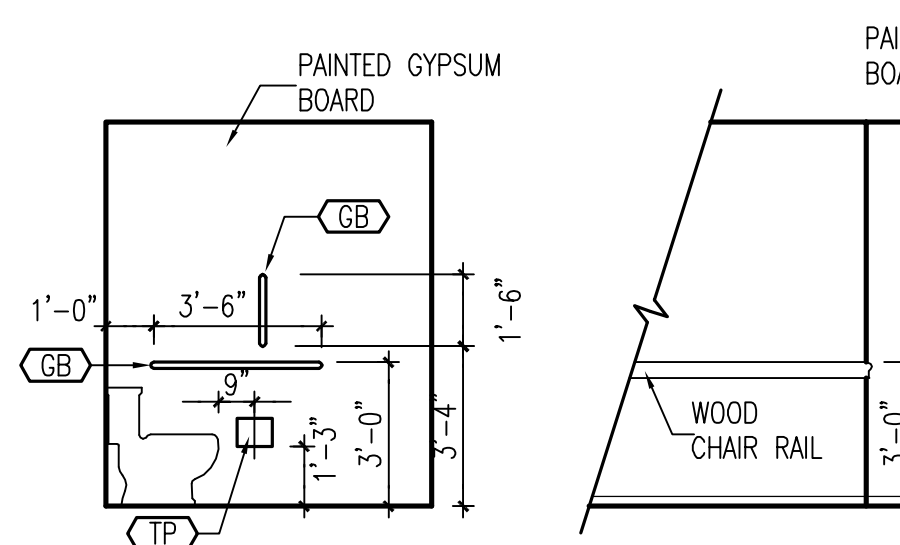
11 MENS ELEVATION
SCALE: 1/4"=1'-0"



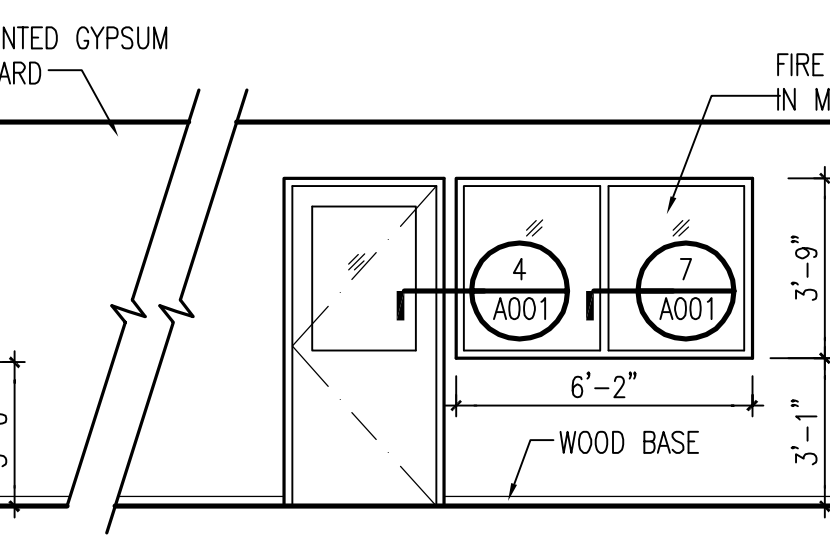
12 WOMENS EL
SCALE: 1/4"=1'-0"



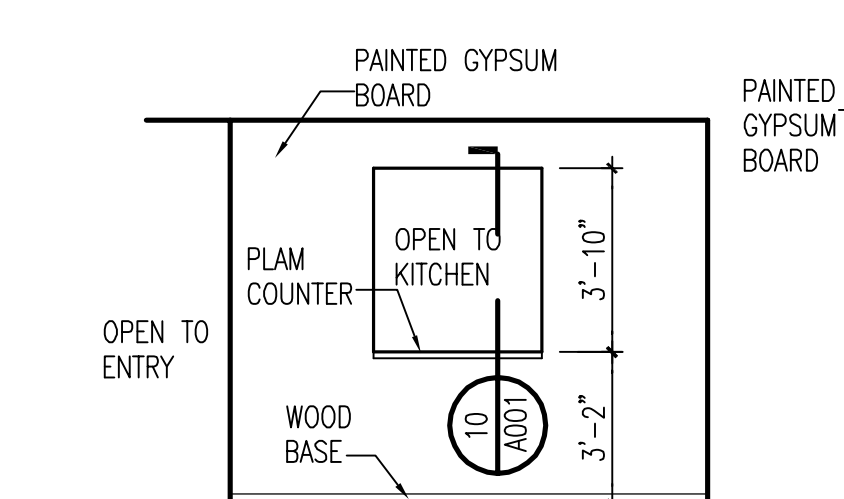
13 WOMENS ELEVATION
SCALE: 1/4"=1'-0"



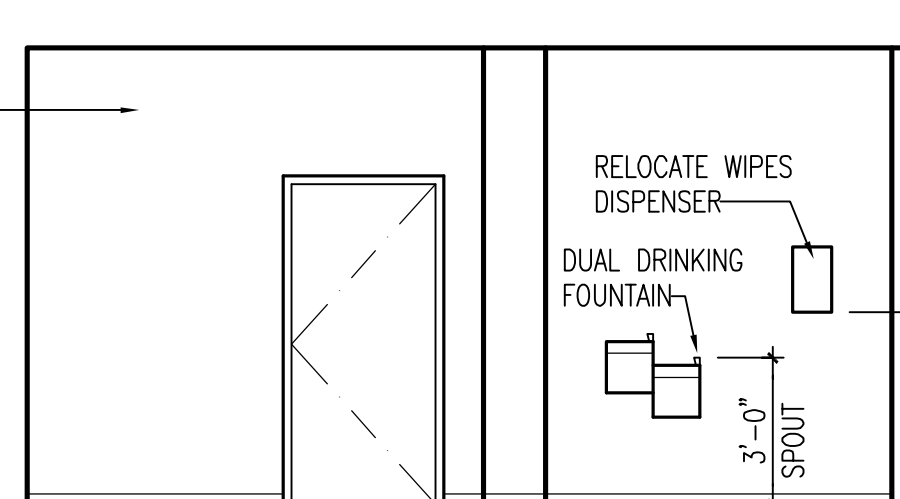
14 WOMENS EL
SCALE: 1/4"=1'-0"



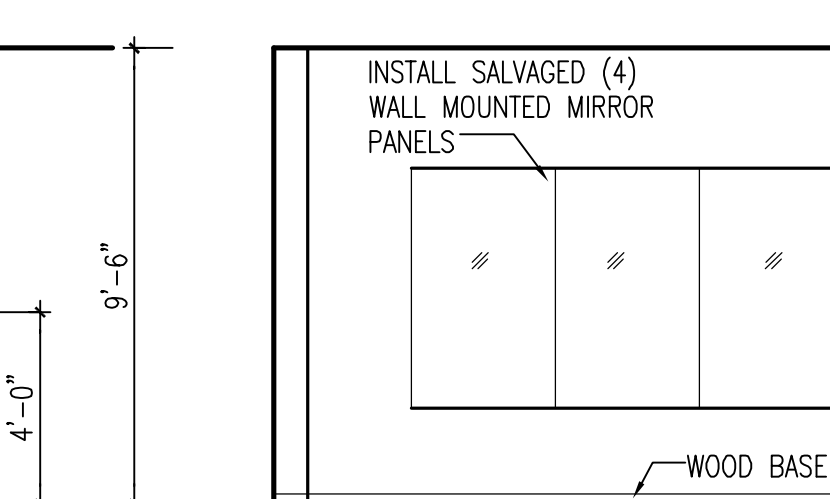
15 LOBBY ELEVATION
SCALE: 1/4"=1'-0"



16 DINING ELEVATION
SCALE: 1/4"=1'-0"



17 FITNESS ELEVATION
SCALE: 1/4"=1'-0"



18 FITNESS ELEVATION
SCALE: 1/4"=1'-0"

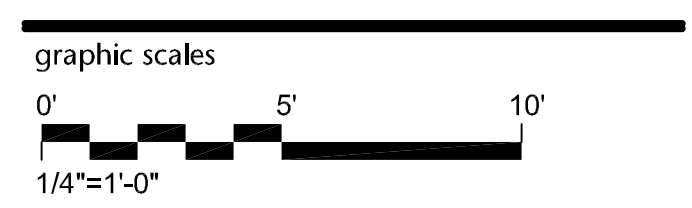
The Phoenix
Apartments
Interior Alterations

5802 Annapolis Road
Bladensburg, Maryland 20710

NOVITSKE ARCHITECTS

201 North Fairfax Street • Suite 33
Alexandria VA 22314
703 535 7899 • 703 535 8840 fax

I CERTIFY THAT THESE DOCUMENTS WERE PREPARED BY OR APPROVED BY ME AND THAT I AM A DULY LICENSED ARCHITECT UNDER THE LAWS OF THE STATE OF MARYLAND, LICENSE NUMBER 0013269, EXPIRATION DATE SEPT 27, 2016.



project:	21413
phase:	Permit
date:	16 February 2015
revisions:	

Schedules &
Typical Interior Elevations

A002