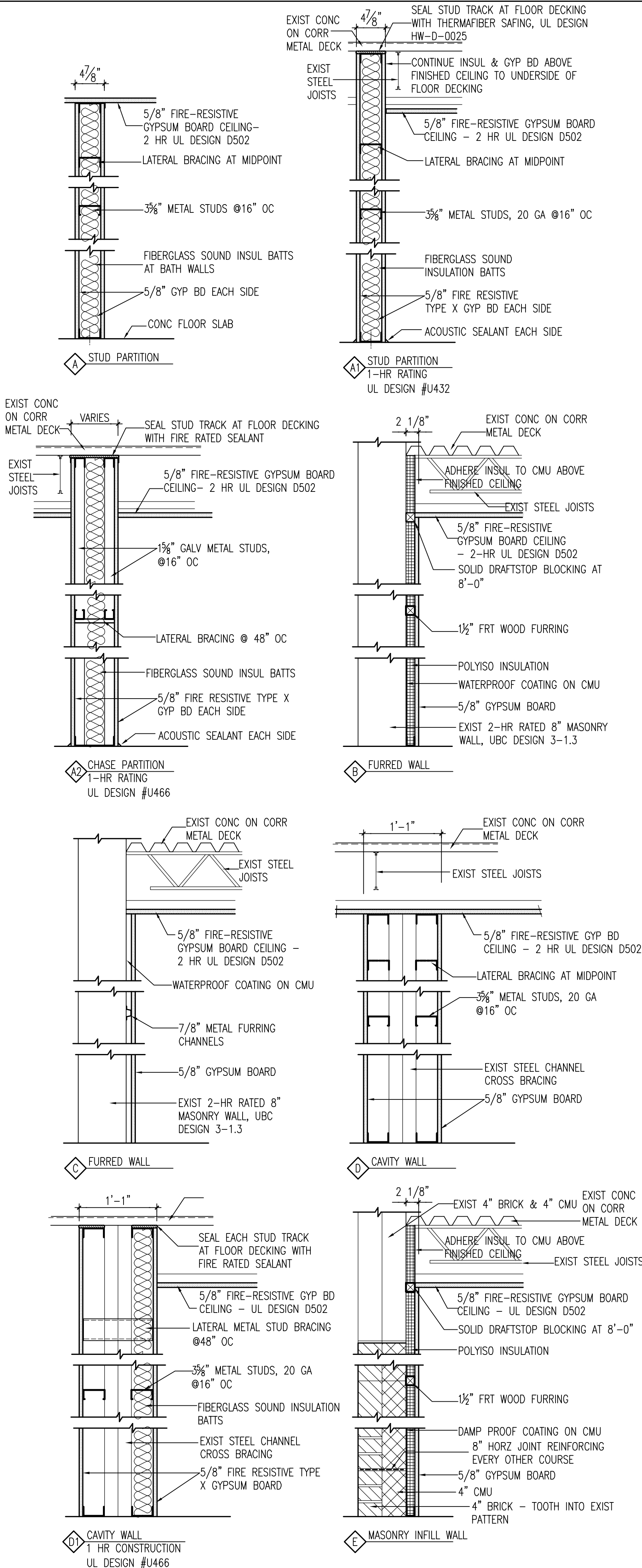


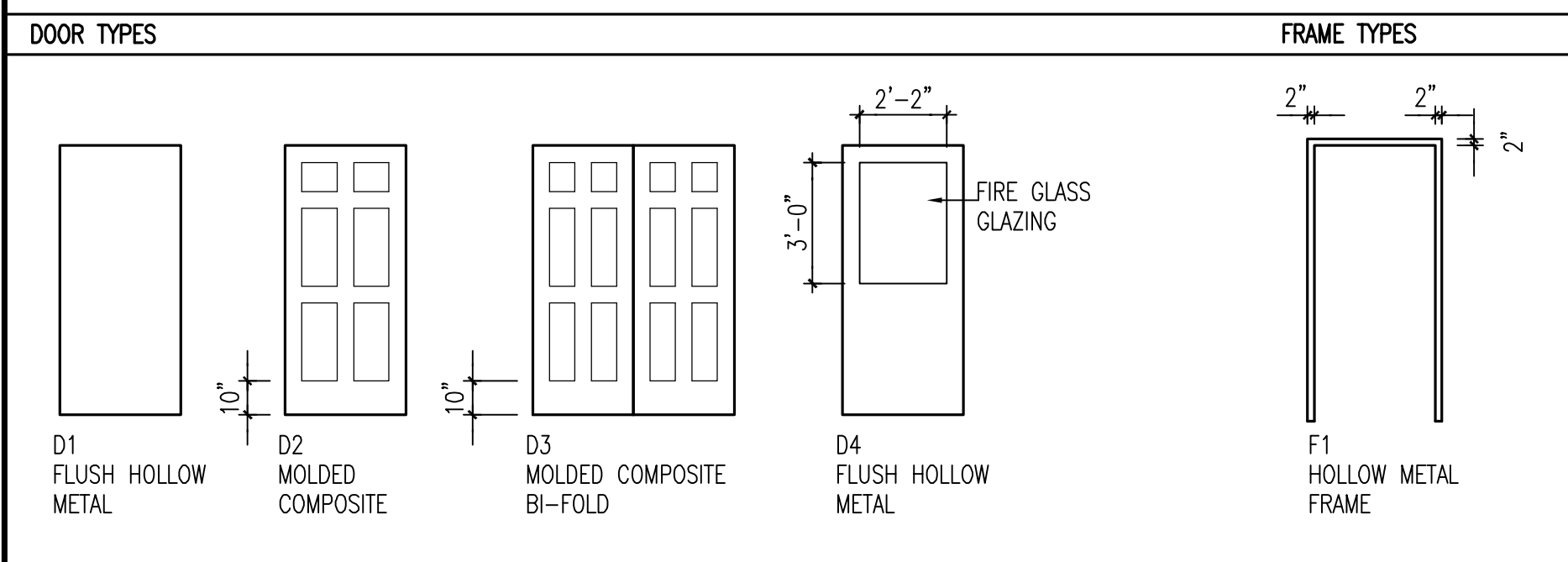
PARTITION SCHEDULE



DOOR SCHEDULE

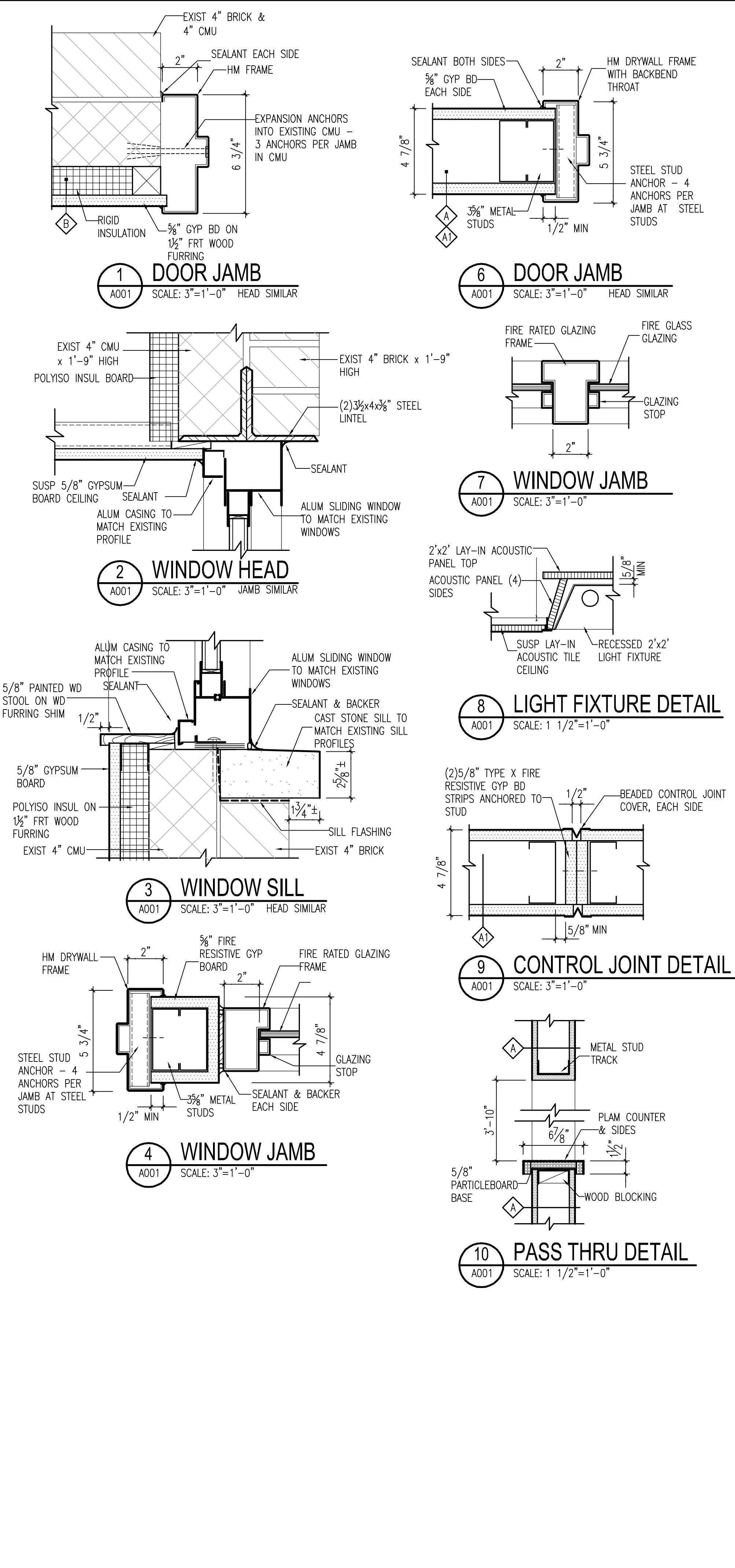
NUMBER	ROOM	SIZE	DOOR	FRAME	HWDR	LABEL	HEAD	JAMB	REMARKS
01	ENTRY	3'-0" x 6'-8" x 1 1/4"	D1	F1	H1	20 MIN	6/A001	6/A001	2
02	BEDROOM	2'-10" x 6'-8" x 1 1/4"	D2	F1	H2	-	6/A001	6/A001	3
03	BATH	2'-10" x 6'-8" x 1 1/4"	D2	F1	H2	-	6/A001	6/A001	3
04	CLOSET	(2)4'-0" x 6'-8" x 1 1/4"	D3	F1	H3	-	-	-	-
05	CLOSET	(2)2'-6" x 6'-8" x 1 1/4"	D3	F1	H3	-	-	-	-
06	CLOSET	(2)3'-0" x 6'-8" x 1 1/4"	D3	F1	H3	-	-	-	-
07	CLOSET	3'-0" x 6'-8" x 1 1/4"	D3	F1	H3	-	-	-	-
08	CLOSET	2'-6" x 6'-8" x 1 1/4"	D3	F1	H3	-	-	-	-
09	CLOSET	3'-0" x 6'-8" x 1 1/4"	D3	F1	H3	-	-	-	-
10	ENTRY	3'-0" x 6'-8" x 1 1/4"	D1	F1	H4	20 MIN	1/A001	1/A001	1
11	BEDROOM	(2)2'-6" x 6'-8" x 1 1/4"	D2	F1	H5	-	6/A001	6/A001	1
12	TOILET	3'-0" x 6'-8" x 1 1/4"	D1	F1	H6	-	6/A001	6/A001	2, 3
13	FITNESS CENTER	3'-0" x 6'-8" x 1 1/4"	D1	F1	H6	-	6/A001	6/A001	2, 3
101	STORAGE	3'-0" x 6'-8" x 1 1/4"	D1	F1	H7	20 MIN	6/A001	6/A001	4
102	LAUNDRY	3'-0" x 6'-8" x 1 1/4"	D4	F1	H8	20 MIN	4/A001	4/A001	-
103	CORRIDOR	(2)3'-0" x 6'-8" x 1 1/4"	D1	F1	H7	20 MIN	1/A001 SIM	1/A001 SIM	-
104	FITNESS CENTER	3'-0" x 6'-8" x 1 1/4"	D4	F1	H9	-	1/A001	1/A001	1
E1	STAIR	3'-0" x 6'-8" x 1 1/4"	D1	F1	E-H1	90 MIN	EXIST	EXIST	5
E2	JANITOR	3'-0" x 6'-8" x 1 1/4"	D1	F1	E-H2	90 MIN	EXIST	EXIST	5
E3	ENTRY	3'-0" x 6'-8" x 1 1/4"	D1	F1	E-H3	-	EXIST	EXIST	5
E4	MECHANICAL	3'-0" x 6'-8" x 1 1/4"	D1	F1	E-H4	90 MIN	EXIST	EXIST	5
E5	TRASH	3'-0" x 6'-8" x 1 1/4"	D1	F1	E-H5	90 MIN	EXIST	EXIST	5
E6	TRASH	3'-0" x 6'-8" x 1 1/4"	D1	F1	H7	20 MIN	1/A001 SIM	1/A001 SIM	-

- REMARKS KEY**
- 1 PROVIDE POLYSTYRENE INSULATED CORE
 - 2 PROVIDE FIBER INSULATED CORE FOR STC RATING 38 MINIMUM
 - 3 PROVIDE VINYL REDUCER STRIP THRESHOLD WHERE CARPET MEETS VINYL FLOORING, JOHNSONITE CRS--XX-A
 - 4 PROVIDE VINYL REDUCE STRIP THRESHOLD WHERE VINYL FLOORING MEETS EXPOSED CONCRETE FLOORING, JOHNSONITE RRS--XX-B
 - 5 EXISTING DOOR, FRAME, & HARDWARE TO REMAIN UNLESS NOTED IN SCHEDULE.



HARDWARE GROUPS

H1 (3) 4" SPRING HINGES, STAINLESS STEEL SATIN FINISH KWIKSET 756KNL 15 ENTRY LOCKSET, SATIN NICKEL FINISH KWIKSET SINGLE CYLINDER DEADBOLT WITH THUMB TURN, 980 15 SMT, SATIN NICKEL FINISH EPDM SPONGE SOUND GASKET, PEMKO 332 R (3) RUBBER SILENCERS, IVES SR64 8" KICKPLATE, IVES 8400 DOOR VIEWER, IVES U696, UL RATING FOR FIRE LABEL DOOR MARBLE THRESHOLD, 5 3/4"	H9 (6) 4" HINGES, STAINLESS STEEL SATIN FINISH CLOSER, DOOR PULL SIDE MOUNTED, LCN 4510 SERIES ALUMINUM FINISH KWIKSET 756KNL 15 ENTRY LOCKSET, SATIN NICKEL FINISH (2) SURFACE BOLTS, HEAD & SILL, IVES SB1630 (2) MORTISE STRIKES FOR SURFACE BOLTS, HEAD & SILL 8" KICKPLATE, IVES 8400
H2 (2) 4"x4" 3 KNUCKLE MORTISE BUTT HINGE, BRUSHED STAINLESS STEEL FINISH KWIKSET 740LL 15 SMT, CYLINDER PRIVACY LOCKSET, SIGNATURE SERIES, LIDO LEVER, SATIN NICKEL FINISH	H9 (3) 4" HINGES, STAINLESS STEEL SATIN FINISH CLOSER, DOOR PULL SIDE MOUNTED, LCN 4510 SERIES ALUMINUM FINISH 4"x16" IVES 8303 PULL PLATE AT EXTERIOR, IVES 8200 PUSH PLATE AT INTERIOR (3) RUBBER SILENCERS, IVES SR64 PERIMETER SILICONE WEATHER GASKET, PEMKO 305 S 7x1/2" THERMAL BRASS THRESHOLD, PEMKO 253X43FG 8" KICKPLATE, IVES 8400 MAGNETIC STRIPE CARD READER, LOCKNETICS ELECTROMAGNETIC DOOR LOCK, LOCKNETICS, 320 SERIES
H3 BIFOLD HARDWARE KIT: SLIDING DOOR HEAD TRACK, TRACK STOP (1) EACH PAIR: PIVOTS, 2 NON-MORTISE HINGES, ROLLERS 1 DOOR PULL, IVES 8111-5 FOR EACH PAIR	E-H1 EXISTING SELF CLOSING HINGES NEW LATCHING CYLINDER, YALE 4700 SERIES LEVER TRIM, FUNCTION 75 PASSAGE
H4 (3) 4" SPRING HINGES, STAINLESS STEEL SATIN FINISH KWIKSET 756KNL 15 ENTRY LOCKSET, SATIN NICKEL FINISH PERIMETER SILICONE WEATHER GASKET, PEMKO 305 S (3) RUBBER SILENCERS, IVES SR64 7x1/2" THERMAL BRASS THRESHOLD, PEMKO 253X43FG 3" DOOR SHOE BOTTOM, PEMKO 221A	E-H2 EXISTING CLOSER EXISTING KEY LOCK CYLINDER WITH AUTOMATIC RELEASE FROM INTERIOR NEW CLOSER, REGULAR ARM MOUNTING AT HEAD, LCN 4210 SERIES, ALUMINUM FINISH
H5 (4) 4"x4" 3 KNUCKLE MORTISE BUTT HINGE, BRUSHED STAINLESS STEEL FINISH KWIKSET 733KNL 15, PRIVACY LOCKSET, SATIN NICKEL FINISH (2) SURFACE BOLTS, HEAD & SILL, IVES SB1630 (2) MORTISE STRIKES FOR SURFACE BOLTS, HEAD & SILL	E-H3 EXISTING CLOSER EXISTING MAGNETIC LOCK WITH CARD READER EXTERIOR, MOTION ACTIVATED, AND PUSH BUTTON RELEASE ON INTERIOR NEW 4"x16" IVES 8303 PULL PLATE AT EXTERIOR, IVES 8200 PUSH PLATE AT INTERIOR
H6 (2) 4"x4" 3 KNUCKLE MORTISE BUTT HINGE, BRUSHED STAINLESS STEEL FINISH KWIKSET 733KNL 15, PRIVACY LOCKSET, SATIN NICKEL FINISH	E-H4 EXISTING SELF-CLOSING HINGES EXISTING KEYED CYLINDER WITH AUTOMATIC INTERIOR RELEASE EXISTING DEADBOLT WITH THUMB TURN RELEASE AT INTERIOR
H7 (3) 4" SPRING HINGES, STAINLESS STEEL SATIN FINISH KWIKSET 756KNL 15 ENTRY LOCKSET, SATIN NICKEL FINISH (3) RUBBER SILENCERS, IVES SR64 8" KICKPLATE, IVES 8400	E-H5 EXISTING CYLINDER LOCKSET NEW CLOSER, REGULAR ARM MOUNTING AT HEAD, LCN 4210 SERIES ALUMINUM FINISH
H8 (3) 4" HINGES, STAINLESS STEEL SATIN FINISH CLOSER, DOOR PULL SIDE MOUNTED, LCN 4510 SERIES ALUMINUM FINISH PULL PLATE, 3.5"x1.5", IVES 8302, SATIN STAINLESS STEEL PUSH PLATE, 3.5"x1.5", IVES 8200, SATIN STAINLESS STEEL 8" KICKPLATE, IVES 8400	



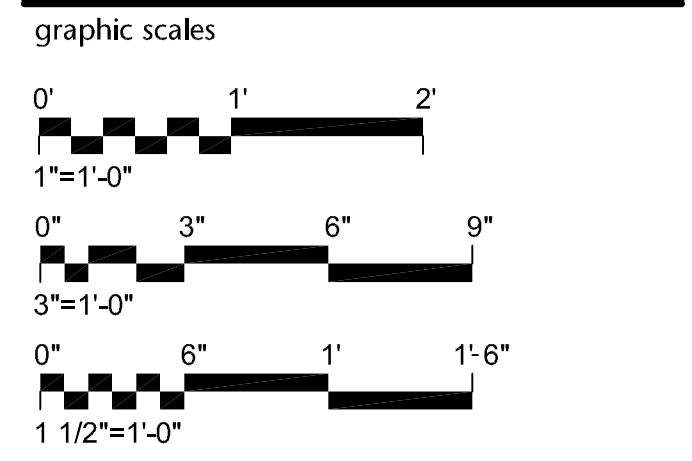
The Phoenix Apartments
Interior Alterations

5802 Annapolis Road
Bladensburg, Maryland 20710

NOVITSKE ARCHITECTS

201 North Fairfax Street • Suite 33
Alexandria VA 22314
703 535 7899 • 703 535 8840 fax

I CERTIFY THAT THESE DOCUMENTS WERE PREPARED BY OR APPROVED BY ME AND THAT I AM A DULY LICENSED ARCHITECT UNDER THE LAWS OF THE STATE OF MARYLAND, LICENSE NUMBER 0013269, EXPIRATION DATE SEPT 27, 2016.



project: 21413
phase: Permit
date: 16 February 2015
revisions: 18 March 2015 - permit revisions

Wall Types, Door Schedules & Details

A001